



Wall Pack Slim Series



Description

The LITELUME™ Wall Pack Slim (LL-WPSL) is a full cutoff LED lighting fixture boasting excellent lumens per watt, uniformity and lumen maintenance. A stylish design, multiple power and CCT configurations make this the premier wall pack of the future.

Applications: Entryways, Pathway, Perimeter and Security lighting.

Fixture Information

Size:	26W/38W/65W/100W/135W
Housing:	Die-cast Aluminum
Finish:	Protective powder coat
Color:	Standard: Bronze Custom Options: Black (BK) White (WH) Grey (GY)
Mounting:	Standard: Wall Mount
Operating temperature	-40°C to 40°C (-40°F - + 104°F).
Power factor	.90
CRI:	80
THD:	<20%
Voltage:	Standard: 120-277V Optional: 480v
Sensor:	Standard: No sensor Optional: Button Photocell (120-277V)
Warranty:	10-Year Limited Warranty

Performance Data

Lumen Output:

4,000 to 20,000 lm

Lumens Per Watt (typical):

148 to 154 lm/W

CCT:

3000K
4000K
5000K

Lifespan:

Up to 100,000 running hours

Ratings & Certificates

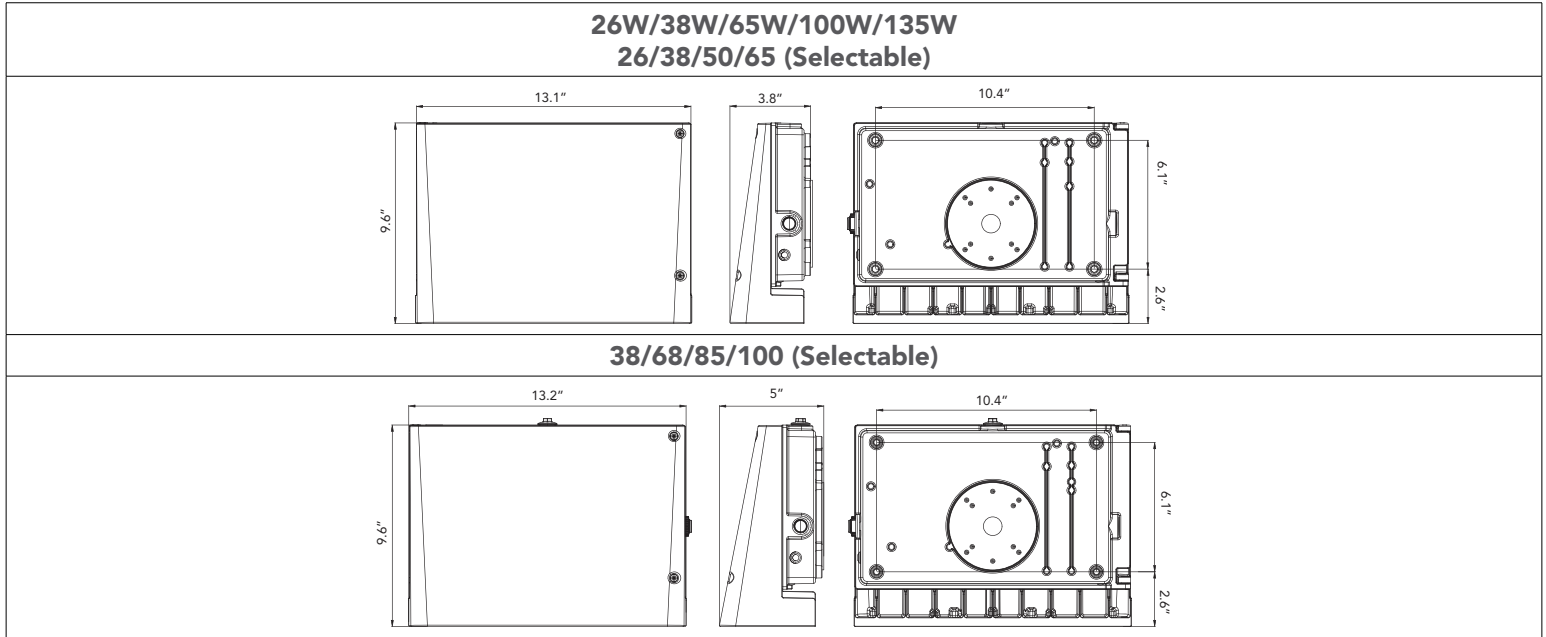
UL Listed For Wet Location



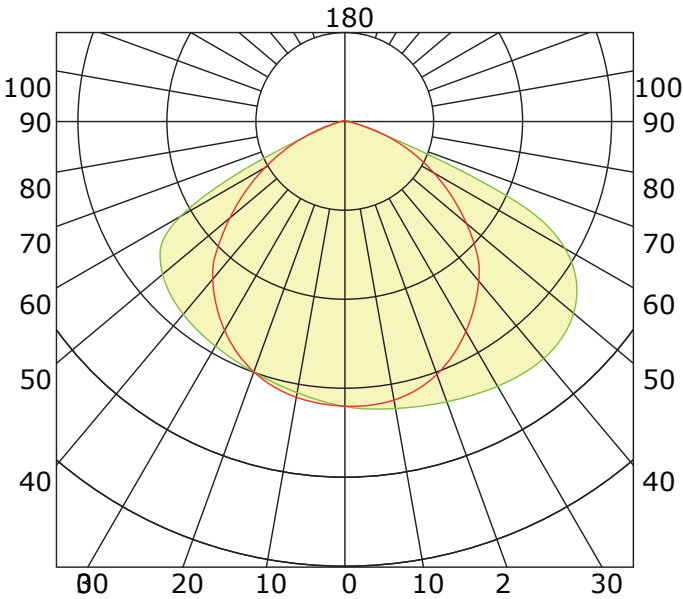


Dimension

Item	Width	Length	Height
26W/38W/65W/100W/135W 26/38/50/65 (Selectable)	3.8"	13.1"	9.6"
38/68/85/100 (Selectable)	5"	13.2"	9.6"



Photometrics





Structural Design

Photocell (Option)
Optional photocell allows for security and energy saving

Housing
Two-piece die-cast aluminum housing with optimal thermal management both enhances LED efficacy and extends fixture's life.

Optics
Zero uplight distributions. Independently designed optical lens, using anti-UV material to maximize the lighting effect while reducing glare.

Mounting
LL-WPSL can be mounted directly over a standard 4" and 5" electrical junction box. Three 1/2 inch conduit holes on three sides allow for surface conduit wiring.

Emergency (Option)
8W Emergency battery, 900lm, 90min.

Power and CCT controller (Option)
The wattage and CCT can be changed by switch selection on the controller, it easy and very fast to meet the varied requirements.



Project Name	
Catalog #	
Job Type	
Prepared By	
Notes	

Fixture Ordering Information

Part #	Wattage	Lumens	Kelvin	Voltage
LL-WPSL-26-50-UNV-BZ	26	4000	5000	120-277
LL-WPSL-26-40-UNV-BZ	26	4000	4000	120-277
LL-WPSL-38-50-UNV-BZ	38	6000	5000	120-277
LL-WPSL-38-40-UNV-BZ	38	6000	4000	120-277
LL-WPSL-65-50-UNV-BZ	65	10000	5000	120-277
LL-WPSL-65-40-UNV-BZ	65	10000	4000	120-277
LL-WPSL-100-50-UNV-BZ	100	15000	5000	120-277
LL-WPSL-100-40-UNV-BZ	100	15000	4000	120-277
LL-WPSL-135-50-UNV-BZ	135	20000	5000	120-277
LL-WPSL-135-40-UNV-BZ	135	20000	4000	120-277
LL-WPSL-[26][38][50][65]-3CCT-UNV-BZ	26W/38W/50W/65W	4000/6000/7700/10000	3000K 4000K 5000K	120-277
LL-WPSL-[38][65][85][100]-3CCT-UNV-BZ	38W/65W/85W/100W	6000/10000/12700/15000	3000K 4000K 5000K	120-277

*Not all product variations listed on this page are DLC qualified. Visit www.designlights.org/search to confirm qualification

Accessories Ordering Information

Part #	Wattage
PC	Button Photocell, 120-277V
EM8	Emergency Battery Back Up 8W *26W, 38W, 65W Only

* Please contact LITELUME for all Custom Option Requests

Buy American Act Compliant Ordering Information

Part #	Description
BAA-WPSL	Buy American Act Compliant For Wallpack Slim

* Please contact LITELUME for all Custom Option Requests