



Amberlume Series Canopy Square Low Profile



Description

The Litelume Amberlume Series Canopy Square Low Profile (LL-ALCSLP) luminaire with optional integral sensor is available in two wattages with an IES Type V distribution designed to replace HID lighting systems up to 175w MH or HPS for wildlife or security applications requiring monochromatic AMBER light. LEDs operate between 585 and 595nm, greater than 560nm required for wildlife protection. Typical parking garage applications include retail centers, industrial parks, schools and universities, public transit and airports, office buildings and medical facilities. Mounting heights of 8 to 14 feet can be used based on light level and uniformity requirements.

Fixture Information

Size:	39W/52W
Housing:	Low Profile Die Cast Aluminum Housing
Finish:	Textured Architectural Bronze or White Powdercoat Finish Over a Chromate Conversion Coating
Lens:	Molded UV-Stabilized Acrylic Optical Lens Designed for Garage Lighting Applications.
Temperature:	-40°C to +40°C
Voltage:	Standard: 120-277V
Power Factor:	>.90
Surge Protector:	6 kVA
Warranty:	10-Year Limited Warranty

Performance Data

Lumen Output:

1248 to 1664 lm

Lumens Per Watt (typical):

32 lm/W

CCT:

Amber

Lifespan:

196,000 hrs @ 25°C (L70)

Ratings & Certificates

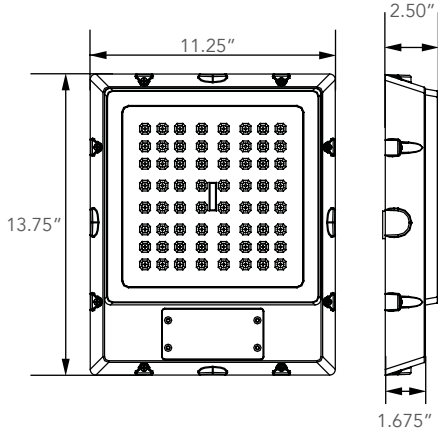
CSA: Listed for Wet Locations, ANSI/UL 1598, 8750; IP66 Sealed LED Compartment. ADA Compliant. 10 year Warranty. BAA Compliant





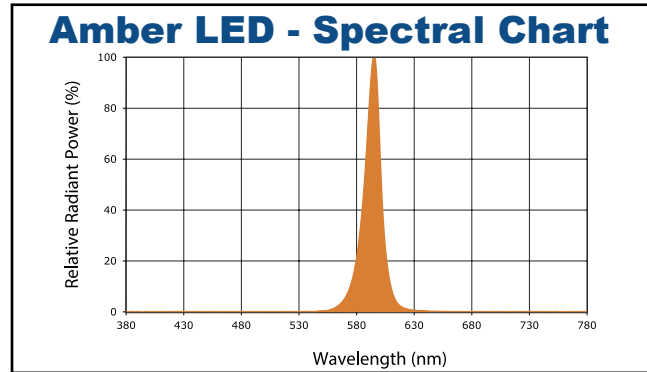
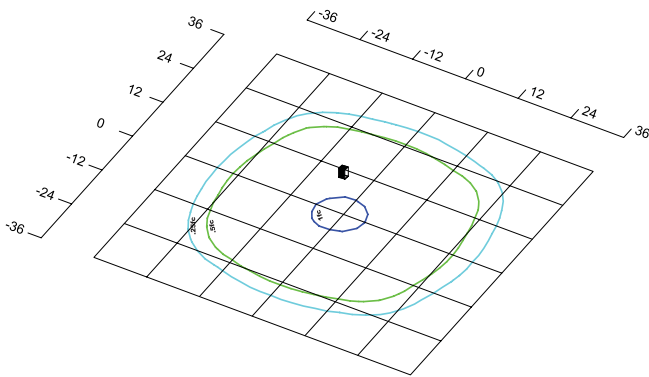
Dimension

Item	Height	Width	Depth
39W/52W	2.50"	11.25"	13.75"



Photometric

LL-ALCSLP-52-AMB-UNV





Project Name	
Catalog #	
Job Type	
Prepared By	
Notes	

Fixture Ordering Information

Part #	Wattage	Lumens	CCT	Voltage	Color
LL-ALCSLP-39-AMB-UNV-WH	39	1248	Amber	120-277V	White
LL-ALCSLP-39-AMB-UNV-BZ	39	1248	Amber	120-277V	Bronze
LL-ALCSLP-52-AMB-UNV-WH	52	1664	Amber	120-277V	White
LL-ALCSLP-52-AMB-UNV-BZ	52	1664	Amber	120-277V	Bronze

Accessories Ordering Information

Part #	Description
SF	Single Fuse *120-277V Only*
DF	Double Fuse *120-277V Only*
SP	Surge Protection
PC3	Photocell, 120-277V
BU	Battery Backup, 90 Minutes *120-277V Only*
SUB "UNV" WITH "480"	480 Volt

* Please contact LITELUME for all Custom Option Requests