



## Description

LED Chicago Approved Steel Emergency Unit

## Illumination:

- Two, 6V, 3.3 watt adjustable white LED lamp heads in metal housing and PC lens provide optimal light distribution
- 3.3 watts of power per lamp head with a light output of 335 lumens

## Electrical:

- Dual 120/277 voltage standard
- Unique bi-color LED indicator light alerts occupant on battery condition (Green-normal, Red-check battery)
- Charge rate/power "ON" LED indicator light and push-to-test switch for mandated code compliance testing
- LVD (low voltage disconnect) prevents battery from deep discharge
- 6V sealed lead acid, maintenance-free, rechargeable battery
- Internal solid-state transfer switch automatically connects the internal battery to LED lamp heads for minimum 120-minute emergency illumination.
- Fully automatic solid-state, two rate charger initiates battery charging to recharge a discharged battery in 24 hours.
- Remote capacity of 5.4 watts standard

## Mounting:

- Universal knockout pattern on back plate for wall mount.
- Side and top knockouts for conduit feed applications.

## Housing:

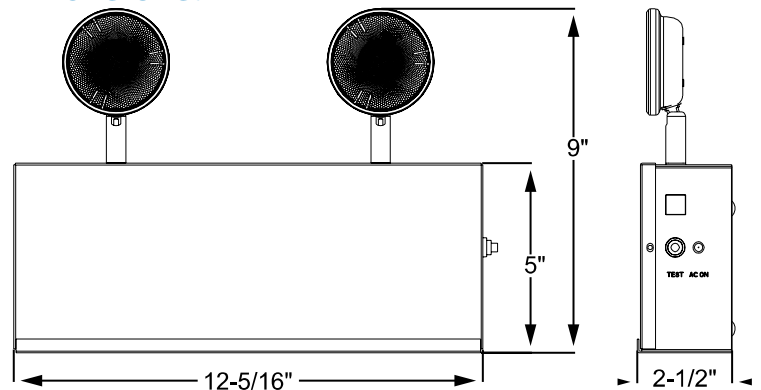
- Durable 20-gauge steel construction in white or black finish.

## Warranty/Listing:

- Five year warranty on all electronics and housing. Battery prorated for two years.
- UL Listed for damp locations (20°C – 50°C).
- Meets UL924, NFPA 101 Life Safety Code, NEC, OSHA, Local and State Codes.
- Meets City of Chicago requirements.



## Dimensions:





<b>Project Name</b>	
<b>Catalog #</b>	
<b>Job Type</b>	
<b>Prepared By</b>	
<b>Notes</b>	

### Fixture Ordering Information

<b>Model</b>	<b>Housing Color</b>	
LL-CAEM	W	White
	B	Black