



Description

Die-Cast Aluminum LED Exit & Emergency Combo

Illumination:

- Ultra bright, energy efficient, long life Red or Green LED.
- High performance premium grade, ultra bright white LED lamps.
- 3W (1 LED x 3 watts) per head.

Electrical:

- Dual 120V/277 voltage,
- Charge rate/power "ON" LED indicator light and push-to-test switch for mandated code compliance testing.
- Internal solid-state transfer switch automatically connects the internal battery to LED board and LED lamp heads for minimum 90-minute emergency illumination.
- Fully automatic solid-state, two rate charger initiates battery charging to recharge a discharged battery in 24 hours.
- Remote capacity available as an option.

Mounting:

- Aluminum mounting canopy included for top or end mount.
- Universal knockout pattern on back plate for wall mount.

Housing:

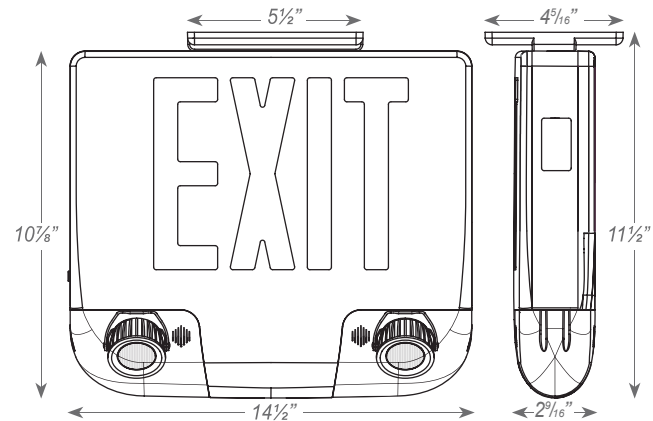
- First premium grade die-cast combo in the market. Unique new design provides spec grade EXIT sign with LED lamp heads in one low profile housing.
- Premium-grade, aluminum housing (also available in black or white powder-coated finishes).
- Field selectable knockout chevron directional indicators.
- Quick-snap face plate closure.
- Unique design allows double face conversion in the field.

Warranty/Listing:

- Five year warranty on all electronics and housing. Battery prorated for five years.
- Meets UL924, NFPA 101 Life Safety Code, NEC, OSHA, Local and State Codes.
- UL Listed for damp locations (0°C – 50°C).
- Certified to CEC under Title 20 Regulations.



Dimensions:





| | |
|---------------------|--|
| Project Name | |
| Catalog # | |
| Job Type | |
| Prepared By | |
| Notes | |

Fixture Ordering Information

| Model | No. of Faces | Letter Color | Housing Color | | Face Panel | | Battery | | Options | | | |
|-----------|--------------|----------------------------------|---------------|-------|------------|----------|---------|----------|---------|----------------|----|-----------------|
| | | | | | | | | | | | | |
| LL-CKXTEU | 1 | Single Face | R | Red | W | White | W | White | EM | Battery Backup | RC | Remote Capacity |
| | 2 | Double Face | G | Green | B | Black | B | Black | | | | |
| | 3 | Universal Single/ Double Face | | | A | Aluminum | A | Aluminum | | | | |