



Description

Thin All Led Exit & Emergency Thermoplastic Combo

Illumination:

- Long lasting, efficient ultra bright white LED lamp heads.
- One 1.1 watt white LED per lamphead.
- Unique all-inclusive lamp, reflector and lens assembly.
- Long life ultra-bright, energy efficient Red or Green LED EXIT sign illumination.

Electrical:

- Dual 120V/277 voltage,
- Charge rate/power "ON" LED indicator light and push-to-test switch for mandated code compliance testing.
- Unique bi-color LED indicator alerts occupant on battery condition (Green-normal, Red-check battery).
- 3.6V Long life, maintenance-free, rechargeable NiCd battery.
- Internal solid-state transfer switch automatically connects the internal battery to LED board and LED lamp heads for minimum 90-minute emergency illumination.
- Fully automatic solid-state, two rate charger initiates battery charging to recharge a discharged battery in 24 hours.

Mounting:

- Mounting canopy included for top or end mount.
- Universal knockout pattern on back plate for wall mount.

Housing:

- Specification-grade, low profile thin plastic design.
- Patented, field selectable universal single/double face configuration.
- Injection-molded, engineering grade, 5VA flame retardant, high-impact resistant, thermoplastic in white or black finish.
- EZ snap-out Chevron directional indicators.
- Remote capacity of up to 2.0 watts available.

Options:

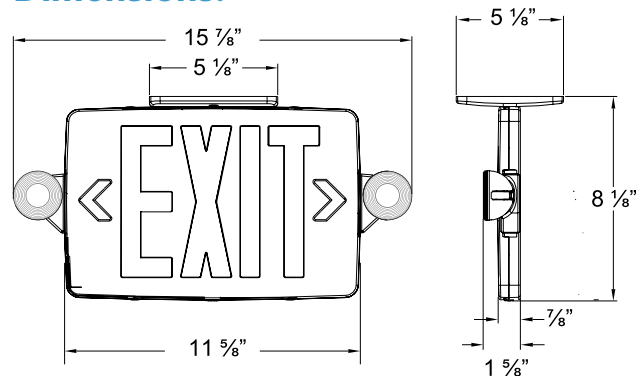
- HL: Provides increased center-to-center spacing (2.0 per head).

Warranty/Listing:

- One year warranty on all electronics and housing. Battery prorated for one year.
- Meets UL924, NFPA 101 Life Safety Code, NEC, OSHA, Local and State Codes.
- UL Listed for damp locations (0°C – 50°C).
- Certified to CEC under Title 20 Regulations.



Dimensions:





Project Name	
Catalog #	
Job Type	
Prepared By	
Notes	

Fixture Ordering Information

Model	No. of Faces		Letter Color		Housing Color		Options	
LL-CTXTEU	3	Universal Single/ Double Face	R G	Red Green	W B	White Black	HL RC	High Lumen ¹ Remote Capacity ¹

¹HL and RC cannot be ordered together