



## Description

Wet Location All Led Exit & Emergency Polycarbonate Combo

## Illumination:

- Long lasting, efficient ultra bright white LED lamp heads.
- 3.6 watt (3 LEDs x 1.2 watt) per head.
- Adjustable LED lamp heads provide optimal center-to-center spacing.
- Long-life, energy efficient Red or Green LED EXIT sign illumination.

## Electrical:

- Dual 120V/277 voltage,
- Unique bi-color LED indicator alerts occupant on battery condition (Green-normal, Red-check battery).
- 6V Long life, maintenance-free, rechargeable NiCd battery.
- Internal solid-state transfer switch automatically connects the internal battery to LED board and LED lamp heads for minimum 90-minute emergency illumination.
- Fully automatic solid-state, two rate charger initiates battery charging to recharge a discharged battery in 24 hours.

## Mounting:

- Die-cast aluminum mounting canopy included for top or end mount.
- Universal knockout pattern on back plate for wall mount.

## Housing:

- 5VA flame retardant, UV stabilized polycarbonate in white, black or gray finish.
- High-impact resistant, UV stabilized polycarbonate clear lens.
- Corrosion resistant enclosure with engineering grade silicone gasket.
- EZ snap-out Chevron directional indicators.
- Knockouts provided for conduit feed applications.

## Options:

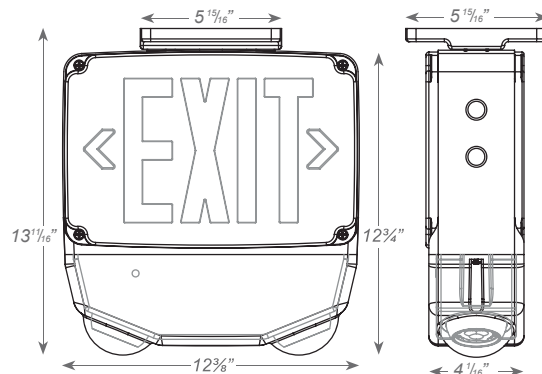
- RC: Remote capacity of up to 7.2 watts.
- SDT: Self-diagnostic feature performs monthly, biannual, and annual tests to ensure reliable operation and meets electrical and life safety codes.
- TP: Tamper-proof hardware helps discourage unauthorized access to the unit.
- CW: Optional internal heater and battery blanket for extreme cold temperature applications (-20° C – 50° C).
- Custom: Signs available with requested "special" wording.

## Warranty/Listing:

- Five year warranty on all electronics and housing. Battery prorated for five years.
- Meets UL924, NFPA 101 Life Safety Code, NEC, OSHA, Local and State Codes.
- UL Listed for damp locations (0°C – 50°C).
- Certified to CEC under Title 20 Regulations.



## Dimensions:





|                     |  |
|---------------------|--|
| <b>Project Name</b> |  |
| <b>Catalog #</b>    |  |
| <b>Job Type</b>     |  |
| <b>Prepared By</b>  |  |
| <b>Notes</b>        |  |

## Fixture Ordering Information

| <b>Model</b> | <b>No. of Faces</b> |             | <b>Letter Color</b> |       | <b>Housing Color</b> |                             | <b>Options</b> |                  |
|--------------|---------------------|-------------|---------------------|-------|----------------------|-----------------------------|----------------|------------------|
| LL-CWLEZXTEU | 1                   | Single Face | R                   | Red   | W                    | White                       | RC             | Remote Capacity  |
|              | 2                   | Double Face | G                   | Green | B                    | Black                       | SDT            | Self-Diagnostics |
|              |                     |             |                     |       | G                    | Gray (with white faceplate) | TP             | Tamper-proof     |
|              |                     |             |                     |       |                      |                             | CW             | Cold Weather     |
|              |                     |             |                     |       |                      |                             | CUSTOM         | Custom Wording   |