



## Description

6" Flat Panel Kelvin Field Selectable.

## Features:

- Field selectable 2700k (soft white), 3000k (warm white), 3500k (warm/neutral white), 4000k (neutral white), and 5000k (cool white) color temperatures.\*
- Long-life LEDs provide at least 70% of initial lumen output (L70) for 181,000 hours of operation.\*\*
- Color rendering index (Ra) > 90.
- 1000 nominal lumens.
- 15 nominal watts.
- 120 AC voltage (60Hz) is standard.
- Power factor > 0.90.
- Total harmonic distortion < 20%.
- Triac dimming.
- Aluminum housing.
- Easy installation in new construction or retrofit applications.
- Compatible with 6.30" ceiling cut-outs.
- Type IC. Access above ceiling required. Covered ceiling mount only.

\*Contact factory for other color temperatures and lumen packages.

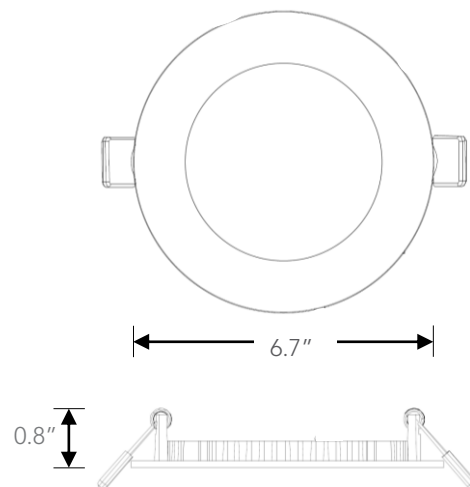
\*\* L70 hours are IES TM-21-11 calculated hours.

## Warranty/Listing:

- cETLus listed for wet locations not exceeding 45°C (113°F).
- Energy Star certified.
- Compatible for new construction and retrofit applications.
- Complies with FCC Part 15, class B.
- Complies with EN61000-4-5 surge protection (0.5kV).
- 5-year warranty of all electronics and housing.



## Dimensions



Weight: .5 lbs



<b>Project Name</b>	
<b>Catalog #</b>	
<b>Job Type</b>	
<b>Prepared By</b>	
<b>Notes</b>	

### Fixture Ordering Information

<b>Model</b>	<b>Nominal Lumen Output</b>		<b>Color Temp</b>
LL-FPR6-10L-KFS	10L	1000	2700K / 3000K / 3500K / 4000K / 5000K