



# High Bay Round



\*Not all product variations listed on this page are DLC qualified. Visit [www.designlights.org/search](http://www.designlights.org/search) to confirm qualification



## Description

The LITELUME™ LED High Bay Round (HBR) is a low profile luminaire constructed with a IP65 rated one piece die cast housing suitable for both indoor and outdoor applications. Featuring a proprietary optical system making this fixture ideal for all high bay applications.

## Fixture Information

Size:	67W/97W/140W/180W/215W
Housing:	Sealed Die-casting
Finish:	Protective powdercoat
Color:	Standard: White Custom Options: Black (BK) Bronze (BZ)
Mounting:	Standard: Hook Mount
Power Cord:	Standard: 1', 6" So Cord, 300V, 18 Gauge, 3 Conductor Optional: See accessories
Lens:	Standard: Polycarbonate Clear Lens Optional: Frosted Lens
Surge Protector:	Optional: 10 kVA
Operating temperature	-40° F to 131° F
Power factor	.95
CRI:	80
Voltage:	Standard: 120-277V Custom Option: 347-480V
Sensor:	Standard: No sensor Bi-level Motion Sensor Remote Control Sensor
Warranty:	10-Year Limited Warranty

## Performance Data

### Lumen Output:

9,100 to 30,000 lm

### Lumens Per Watt (typical):

133 to 140 lm/W

### CCT:

4000K  
5000K

### Distribution

Type V

### Lifespan:

Features Philip Lumileds with up to 100,000 running hours

### Ratings & Certificates

UL Listed For Wet Location  
DLC Premium Qualified\*  
IP65 rated



## QuickShip Ordering Information

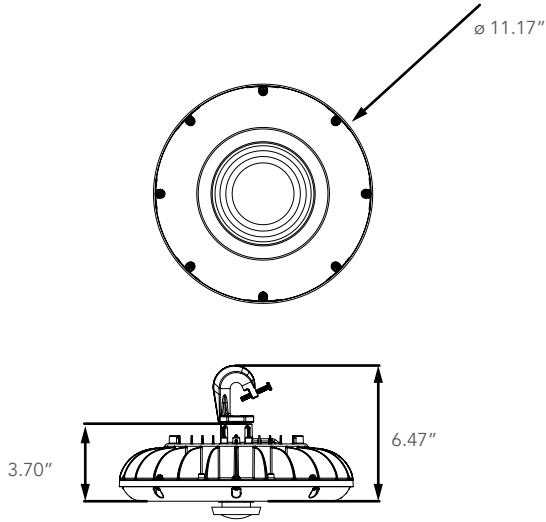
Part #	Part #
LL-HBR-67-50-UNV-WH	LL-HBR-67-50-UNV-BK
LL-HBR-67-40-UNV-WH	LL-HBR-67-40-UNV-BK
LL-HBR-97-50-UNV-WH	LL-HBR-97-50-UNV-BK
LL-HBR-97-40-UNV-WH	LL-HBR-97-40-UNV-BK
LL-HBR-140-50-UNV-WH	LL-HBR-140-50-UNV-BK
LL-HBR-140-40-UNV-WH	LL-HBR-140-40-UNV-BK
LL-HBR-180-50-UNV-WH	LL-HBR-180-50-UNV-BK
LL-HBR-180-40-UNV-WH	LL-HBR-180-40-UNV-BK



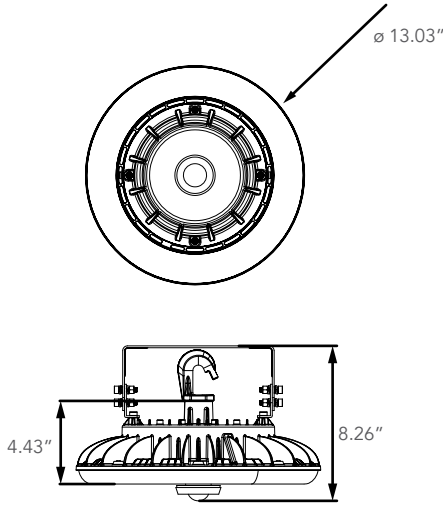
### Dimension

Item	Diameter	Height	Weight
67W	11.17"	3.70"	5.71 lbs
97W	11.17"	3.70"	5.95 lbs
140W	15.55"	4.45"	6.00 lbs
180W	15.55"	4.45"	6.61 lbs
215W	15.55"	4.45"	6.61 lbs

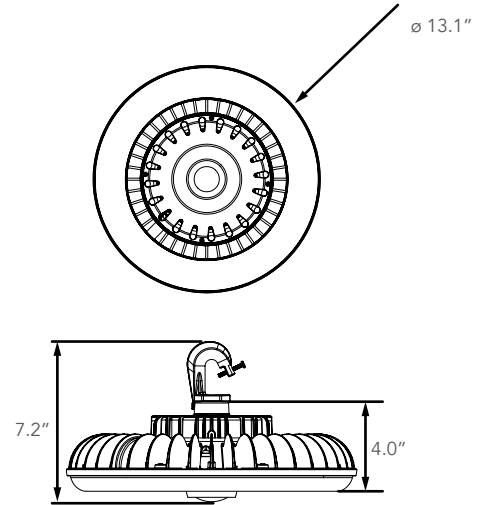
67W/97W



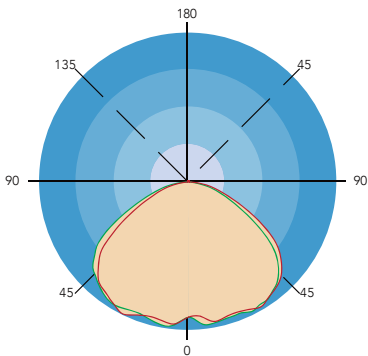
140W



180W/215W



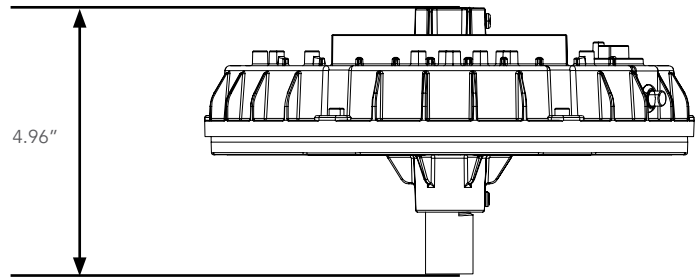
### Photometrics General





### Accessories

Emergency Battery Back Up Kit



### Mounting Options

	Pendant	Trunion
With Sensor		
Without Sensor		



<b>Project Name</b>	
<b>Catalog #</b>	
<b>Job Type</b>	
<b>Prepared By</b>	
<b>Notes</b>	

### Fixture Ordering Information

Part #	Wattage	Lumens	Kelvin	Voltage	Type Distribution
LL-HBR-67-50-UNV-WH	67	9100	5000	120-277	HB
LL-HBR-67-40-UNV-WH	67	9100	4000	120-277	HB
LL-HBR-97-50-UNV-WH	97	12300	5000	120-277	HB
LL-HBR-97-40-UNV-WH	97	12300	4000	120-277	HB
LL-HBR-140-50-UNV-WH	140	175000	5000	120-277	HB
LL-HBR-140-40-UNV-WH	140	175000	4000	120-277	HB
LL-HBR-180-50-UNV-WH	180	25000	5000	120-277	HB
LL-HBR-180-40-UNV-WH	180	25000	4000	120-277	HB
LL-HBR-67-50-UNV-BK	67	9100	5000	120-277	HB
LL-HBR-67-40-UNV-BK	67	9100	4000	120-277	HB
LL-HBR-97-50-UNV-BK	97	12300	5000	120-277	HB
LL-HBR-97-40-UNV-BK	97	12300	4000	120-277	HB
LL-HBR-140-50-UNV-BK	140	175000	5000	120-277	HB
LL-HBR-140-40-UNV-BK	140	175000	4000	120-277	HB
LL-HBR-180-50-UNV-BK	180	25000	5000	120-277	HB
LL-HBR-180-40-UNV-BK	180	25000	4000	120-277	HB
LL-HBR-215-50-UNV-BK	215	30000	5000	120-277	HB
LL-HBR-215-40-UNV-BK	215	30000	4000	120-277	HB
LL-HBR-[97][140][180][215]-2CCT-UNV-BK	97/140/180/215	12300/17500/25000/30000	4000/5000	120-277	HB

\*Not all product variations listed on this page are DLC qualified. Visit [www.designlights.org/search](http://www.designlights.org/search) to confirm qualification

### QuickShip Ordering Information

Part #
LL-HBR-67-50-UNV-WH
LL-HBR-67-40-UNV-WH
LL-HBR-97-50-UNV-WH
LL-HBR-97-40-UNV-WH
LL-HBR-140-50-UNV-WH
LL-HBR-140-40-UNV-WH
LL-HBR-180-50-UNV-WH
LL-HBR-180-40-UNV-WH
LL-HBR-67-50-UNV-BK
LL-HBR-67-40-UNV-BK
LL-HBR-97-50-UNV-BK
LL-HBR-97-40-UNV-BK
LL-HBR-140-50-UNV-BK
LL-HBR-140-40-UNV-BK
LL-HBR-180-50-UNV-BK
LL-HBR-180-40-UNV-BK



## Accessories Ordering Information

Part #	Wattage
MS20	Bi-Level PIR Motion Sensor 20
LL-100	Remote Control 100
L3	L3 Low Bay Coverage Lens
L4	L4 High Bay Coverage Lens
CORD6WH183	6' So Cord, White, 300V, 18 Gauge, 3 Conductor
CORD6WH185	6' So Cord, White, 300V, 18 Gauge, 5 Conductor
CORD6WH600183	6' So Cord, White, 600V, 18 Gauge, 3 Conductor
CORD6WH600185	6' So Cord, White, 600V, 18 Gauge, 5 Conductor
CORD6BK183	6' So Cord, Black, 300V, 18 Gauge, 3 Conductor
CORD6BK185	6' So Cord, Black, 300V, 18 Gauge, 5 Conductor
CORD6BK600183	6' So Cord, Black, 600V, 18 Gauge, 3 Conductor
CORD6BK600185	6' So Cord, Black, 600V, 18 Gauge, 5 Conductor
HBRTTRWH	High Bay Round Trunion White
HBRTTRBK	High Bay Round Trunion Black
5-15P	NEMA 5-15P Plug, 15 Amp, 125V
L5-15P	NEMA Twist Lock L5-15P Plug, 15 Amp, 125V
L7-15P	NEMA Twist Lock L7-15P Plug, 15 Amp, 125V
L7-20P	NEMA Twist Lock L7-20P Plug, 20 Amp, 277V
L8-20p	NEMA Twist Lock L8-20P Plug, 20 Amp, 480V
L8-30p	NEMA Twist Lock L8-30P Plug, 30 Amp, 480V
FR-HBR	Frosted Lens for High Bay Round
EMKIT8WH	Emergency Battery Back Up Kit 8W White
EMKIT8BK	Emergency Battery Back Up Kit 8W Black
EMKIT16WH	Emergency Battery Back Up Kit 16W White
EMKIT16BK	Emergency Battery Back Up Kit 16W Black
SUB "UNV" WITH "480"	480 Volt

\* Please contact LITELUME for all Custom Option Requests

## Buy American Act Compliant Ordering Information

Part #	Description
BAA-HBR	Buy American Act Compliant for High Bay Round

\* Please contact LITELUME for all Custom Option Requests