



High Bay Round Double High Temperature Series



Description

The LITELUME™ High Bay Round Double High Temperature Series (LL-HBRDHT) is specialized for high lumen and high temperature applications up to 65 degrees C. A robust design utilizing high heat-conducting aviation aluminium with a innovative multi-channel 360 degree ventilated housing utilizing a natural air convection design with proprietary heat management.

Applications include steel mills, manufacturing, warehouse and general factory.

Fixture Information

Size:	300W/400W
Housing:	Aviation Grade Aluminum
Finish:	Protective powder coat
Color:	Standard: Black Optional: White Custom Options available
Mounting:	Standard: U Bracket
Lens:	Proprietary
Power Supply:	Meanwell HLG & HVG Series
Safety & EMC:	Compliance to EN61000-4-2,3,4,5,6,8,11, EN61457, light industry level (Surge Immunity Line-Earth 4KV, Line-Line 2KV) EAC TP TC 020
Temperature:	-40°C to 65°C
Voltage:	Standard: 120-277V Optional: 277-480V
Dimming::	Optional
Power Factor:	>.95
CRI:	80
Accessories:	Remote Control
Sensor:	Standard: No sensor Optional: Motion Sensor, Daylight Sensor and controls
Warranty:	5-Year Limited Warranty

Performance Data

Lumen Output:

44,175 to 72,000 lm

Lumens Per Watt (typical):

147 to 180 lm/W

CCT:

4000K

5000K

Beam Angle:

30°

60°

90°

120°

Lifespan:

Featuring Meanwell HLG/HVG driver and Proprietary Light Engine with High Grade High Lumen Luxeon 5050 LEDs with 180,000+ Hours

Ratings & Certificates

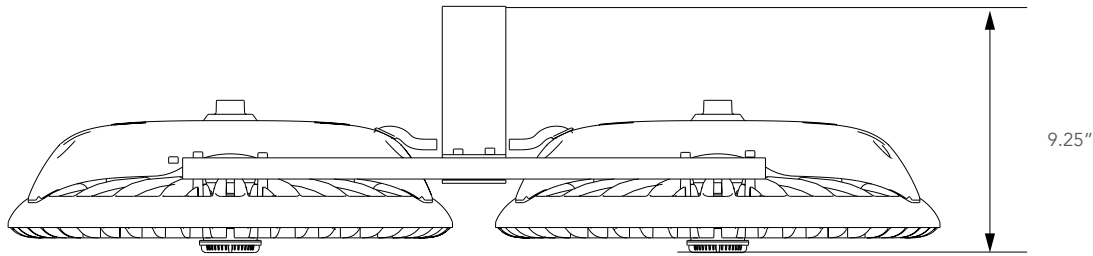
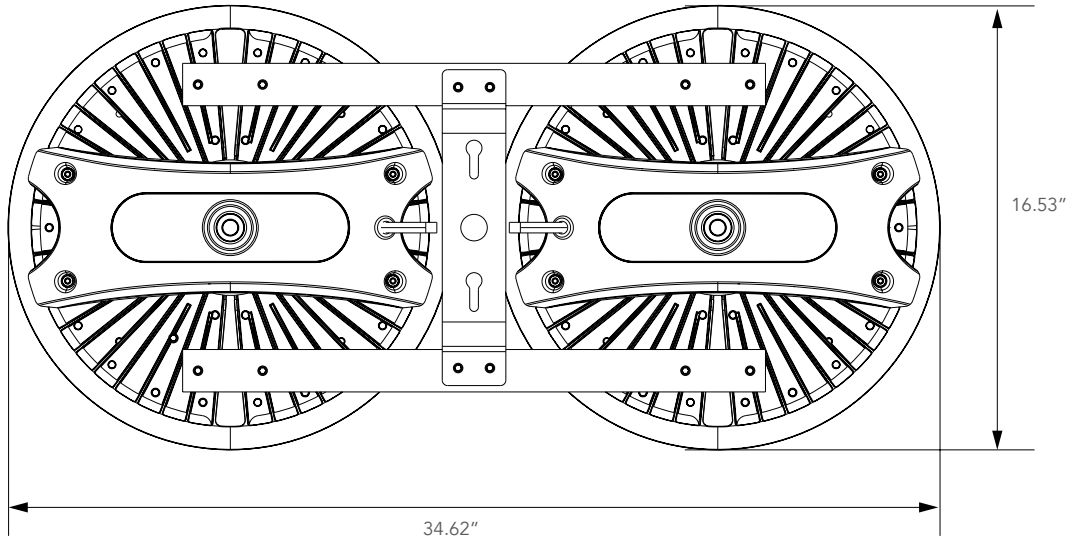
ETL Listed for Wet Locations
IP65 rated





Dimension

Item	Width	Length	Height
100W/150W/200W	16.53"	34.62"	9.25"





Project Name	
Catalog #	
Job Type	
Prepared By	
Notes	

Fixture Ordering Information

Part #	Wattage	Lumens	CCT	Voltage	Color
LL-HBRDHT-300-50-UNV-BK	300	46500	5000	120-277	Black
LL-HBRDHT-300-40-UNV-BK	300	44175	4000	120-277	Black
LL-HBRDHT-400-50-UNV-BK	400	62000	5000	120-277	Black
LL-HBRDHT-400-40-UNV-BK	400	58900	4000	120-277	Black
LL-HBRDHT-HL-300-50-UNV-BK	300	54000	5000	120-277	Black
LL-HBRDHT-HL-300-40-UNV-BK	300	51300	4000	120-277	Black
LL-HBRDHT-HL-400-50-UNV-BK	400	72000	5000	120-277	Black
LL-HBRDHT-HL-400-40-UNV-BK	400	68400	4000	120-277	Black
LL-HBRDHT-300-50-HV-BK	300	46500	5000	277-480	Black
LL-HBRDHT-300-40-HV-BK	300	44175	4000	277-480	Black
LL-HBRDHT-400-50-HV-BK	400	62000	5000	277-480	Black
LL-HBRDHT-400-40-HV-BK	400	58900	4000	277-480	Black
LL-HBRDHT-HL-300-50-HV-BK	300	54000	5000	277-480	Black
LL-HBRDHT-HL-300-40-HV-BK	300	51300	4000	277-480	Black
LL-HBRDHT-HL-400-50-HV-BK	400	72000	5000	277-480	Black
LL-HBRDHT-HL-400-40-HV-BK	400	68400	4000	277-480	Black

Accessories Ordering Information

Part #	Description
BLMMS	Bi-Level Microwave Motion Sensor
DH	Daylight Harvesting *Must Order with MMS*
LL-400	REMOTE CONTROL 400
HBRHT30	30° Beam
HBRHT60	60° Beam
HBRHT90	90° Beam
HBRHT120	120° Beam

* Please contact LITELUME for all Custom Option Requests