



High Bay Round UFO Econolume Series



Description

The LITELUME™ LED High Bay Round UFO Econolume Series (LL-HBRUECO) is commercial luminaire constructed with a IP66 rated one piece die cast housing suitable for both indoor and outdoor applications.

Fixture Information

| | |
|-------------------|---|
| Size: | 100W/150W/200W/240W |
| Housing: | Sealed Die-casting |
| Finish: | Protective powder coat |
| Color: | Standard: Black |
| Mounting: | Standard: Eye Bolt Optional: See accessories |
| Lens: | Glass |
| Power Supply: | Meanwell HLG & HVG Series |
| Cord: | 6' standard |
| Surge Protection: | Complies with EN61000-4-5, surge immunity protection (4kV). |
| Temperature: | -22°C to 122°C |
| Power Factor: | >.95 |
| CRI: | 80 |
| Voltage: | Standard: 120-277V |
| Warranty: | 5-Year Limited Warranty |

Performance Data

Lumen Output:

113,300 to 33,600 lm

Lumens Per Watt (typical):

133 to 140 lm/W

CCT:

4000K

5000K

Lifespan:

Features Philip Lumileds with up to 174,000 running hours

Ratings & Certificates

cULus listed for wet locations in ambient temperatures from -30°C to 50°C (-22°F to 122°F).

IP66 rated for ingress protection.

Complies with FCC Part 15, Class B.

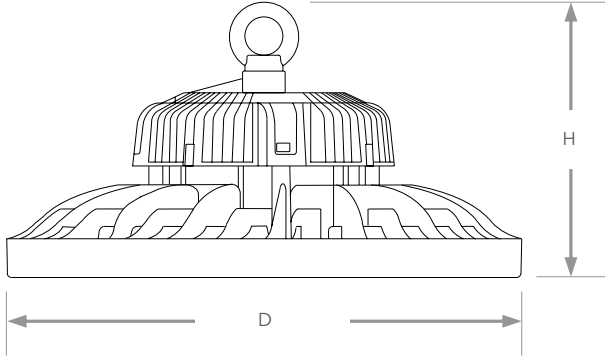
Complies with EN61000-4-5, surge immunity protection (4kV).





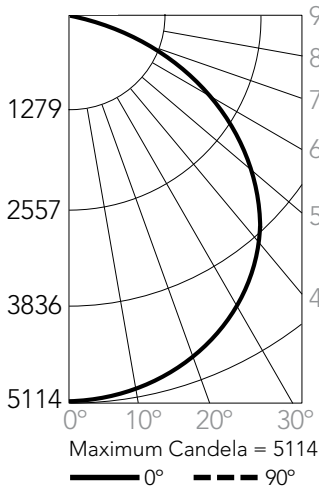
Dimension

| Item | Diameter | Height | Weight |
|-----------|----------|--------|----------|
| 100W/150W | 11.7" | 7.3" | 6.8 lbs |
| 200W/240W | 14.2" | 8.5" | 11.2 lbs |



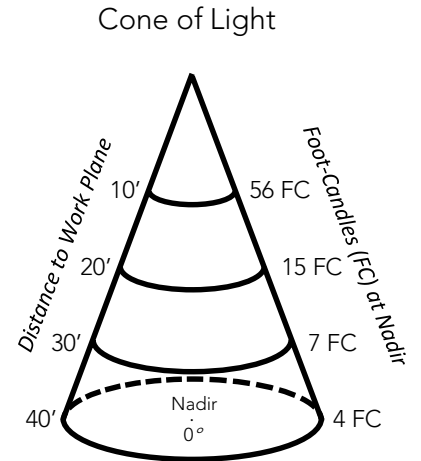
Photometrics

HBRUECO-100W-4000K

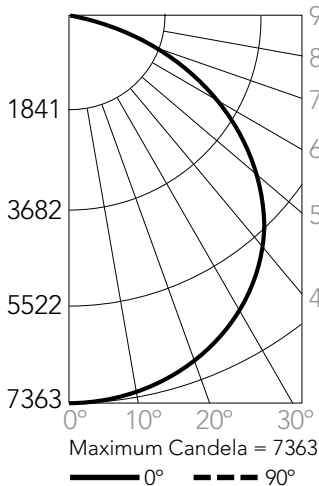


| | 0° | 90° |
|-----|--------|------|
| 0° | 5,1145 | ,114 |
| 10° | 5,0195 | ,004 |
| 20° | 4,7894 | ,783 |
| 30° | 4,4104 | ,404 |
| 40° | 3,8643 | ,855 |
| 50° | 3,1543 | ,144 |
| 60° | 2,2242 | ,194 |
| 70° | 1,1721 | ,145 |
| 80° | 279 | 252 |
| 90° | 12 | 24 |

| Zone | Lumens | % Fixture |
|------------|--------|-----------|
| 0° - 10° | 4833 | .3% |
| 0° - 20° | 1,873 | 12.9% |
| 0° - 30° | 4,007 | 27.6% |
| 0° - 40° | 6,620 | 45.7% |
| 0° - 50° | 9,364 | 64.6% |
| 0° - 60° | 11,823 | 81.6% |
| 0° - 70° | 13,529 | 93.3% |
| 0° - 80° | 14,281 | 98.5% |
| 0° - 90° | 14,380 | 99.2% |
| 90° - 180° | 1170 | .8% |
| 0° - 180° | 14,497 | 100.0% |

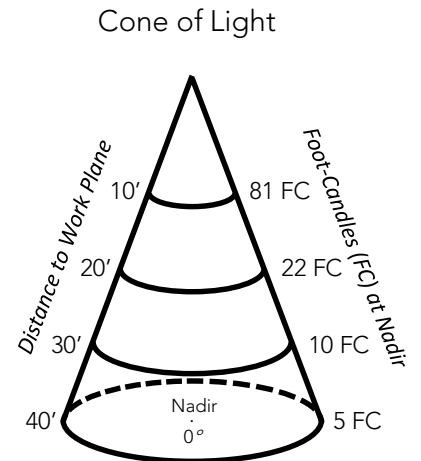


HBRUECO-150W-4000K



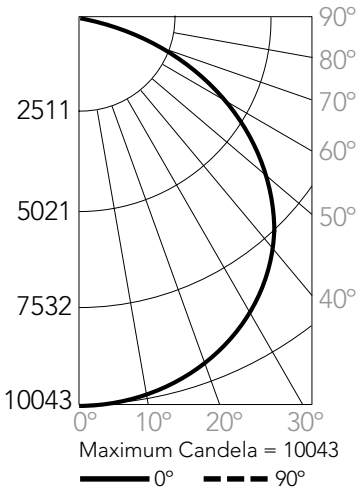
| | 0° | 90° |
|-----|--------|------|
| 0° | 7,3637 | ,363 |
| 10° | 7,2197 | ,225 |
| 20° | 6,9076 | ,916 |
| 30° | 6,3816 | ,368 |
| 40° | 5,5895 | ,593 |
| 50° | 4,6024 | ,549 |
| 60° | 3,2963 | ,198 |
| 70° | 1,7811 | ,684 |
| 80° | 451 | 371 |
| 90° | 18 | 0 |

| Zone | Lumens | % Fixture |
|------------|--------|-----------|
| 0° - 10° | 6953 | .3% |
| 0° - 20° | 2698 | 12.9% |
| 0° - 30° | 5773 | 27.7% |
| 0° - 40° | 9536 | 45.7% |
| 0° - 50° | 13487 | 64.7% |
| 0° - 60° | 17028 | 81.6% |
| 0° - 70° | 19503 | 93.5% |
| 0° - 80° | 20610 | 98.8% |
| 0° - 90° | 20752 | 99.5% |
| 90° - 180° | 1070 | .5% |
| 0° - 180° | 20,859 | 100.0% |



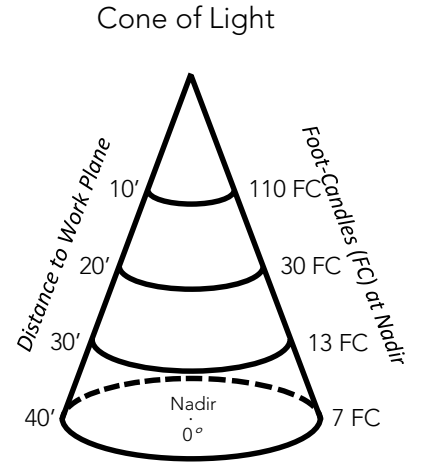


HBRUECO-200W-4000K

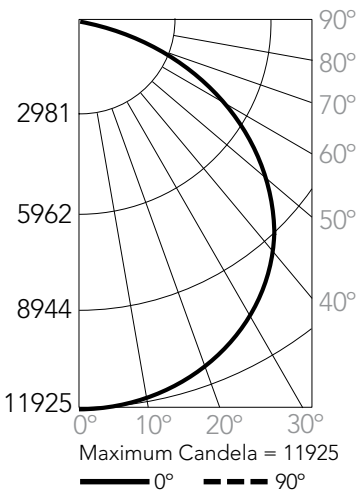


| Candlepower Summary | | |
|---------------------|--------|--------|
| | 0° | 90° |
| 0° | 10,043 | 10,043 |
| 10° | 9,8709 | ,880 |
| 20° | 9,4359 | ,460 |
| 30° | 8,7098 | ,707 |
| 40° | 7,6447 | ,650 |
| 50° | 6,2596 | ,275 |
| 60° | 4,5284 | ,532 |
| 70° | 2,5232 | ,514 |
| 80° | 670 | 634 |
| 90° | 18 | 6 |

| Zonal Lumen Summary | | |
|---------------------|--------|-----------|
| Zone | Lumens | % Fixture |
| 0° - 10° | 9483 | .3% |
| 0° - 20° | 3,679 | 13.0% |
| 0° - 30° | 7,864 | 27.7% |
| 0° - 40° | 12,973 | 45.8% |
| 0° - 50° | 18,320 | 64.6% |
| 0° - 60° | 23,099 | 81.5% |
| 0° - 70° | 26,503 | 93.5% |
| 0° - 80° | 28,029 | 98.9% |
| 0° - 90° | 28,232 | 99.6% |
| 90° - 180° | 1090 | .4% |
| 0° - 180° | 28,341 | 100.0% |

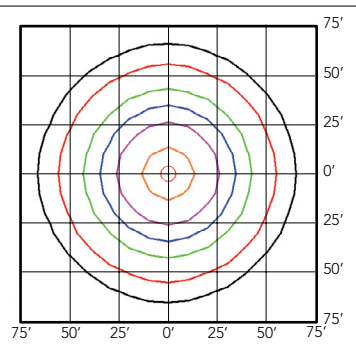
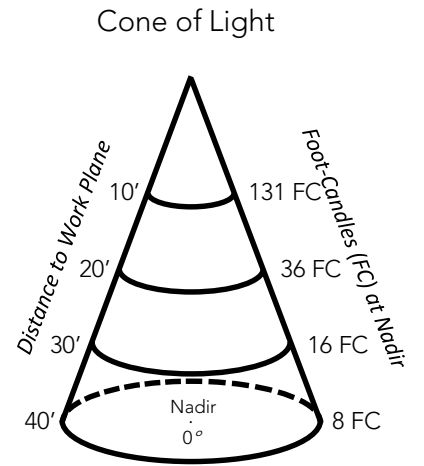


HBRUECO-240W-4000K

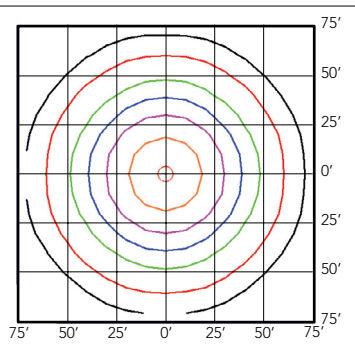


| Candlepower Summary | | |
|---------------------|--------|--------|
| | 0° | 90° |
| 0° | 11,925 | 11,925 |
| 10° | 11,721 | 11,719 |
| 20° | 11,195 | 11,183 |
| 30° | 10,281 | 10,253 |
| 40° | 8,9948 | ,978 |
| 50° | 7,3047 | ,263 |
| 60° | 5,2365 | ,143 |
| 70° | 2,8842 | ,764 |
| 80° | 775 | 680 |
| 90° | 22 | 9 |

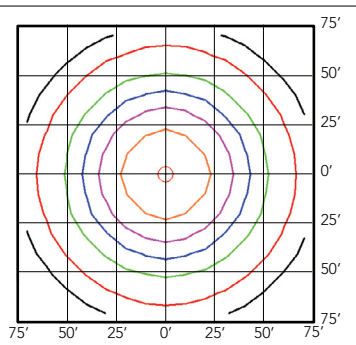
| Zonal Lumen Summary | | |
|---------------------|--------|-----------|
| Zone | Lumens | % Fixture |
| 0° - 10° | 1,1253 | .4% |
| 0° - 20° | 4,366 | 13.0% |
| 0° - 30° | 9,328 | 27.8% |
| 0° - 40° | 15,377 | 45.8% |
| 0° - 50° | 21,693 | 64.7% |
| 0° - 60° | 27,322 | 81.4% |
| 0° - 70° | 31,330 | 93.4% |
| 0° - 80° | 33,156 | 98.8% |
| 0° - 90° | 33,417 | 99.6% |
| 90° - 180° | 1350 | .4% |
| 0° - 180° | 33,552 | 100.0% |



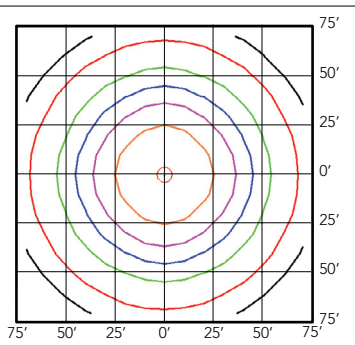
HBRUECO-100W-4000K



HBRUECO-150W-4000K



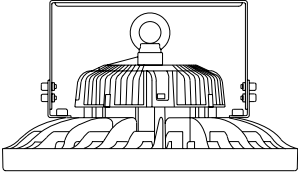
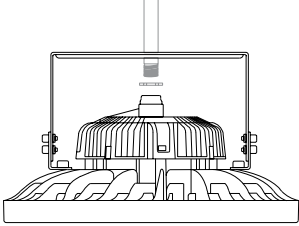
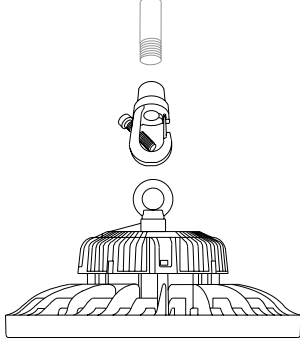
HBRUECO-200W-4000K



HBRUECO-240W-4000K



Mounting Options

| Ceiling Mount (HBRUECO-SY) (HBRUECO-LY) | 1/2" Conduit-Mounted (HBRUECO-SY) (HBRUECO-LY) | 3/4" Conduit-Mounted (HBRUECO-PSH) |
|---|---|---|
|  |  |  |



| | |
|---------------------|--|
| Project Name | |
| Catalog # | |
| Job Type | |
| Prepared By | |
| Notes | |

Fixture Ordering Information

| Part # | Wattage | Lumens | CCT | Voltage | Color |
|--------------------------|---------|--------|------|---------|-------|
| LL-HBRUECO-100-50-UNV-BK | 100 | 14000 | 5000 | 120-277 | Black |
| LL-HBRUECO-100-40-UNV-BK | 100 | 13300 | 4000 | 120-277 | Black |
| LL-HBRUECO-150-50-UNV-BK | 150 | 21000 | 5000 | 120-277 | Black |
| LL-HBRUECO-150-40-UNV-BK | 150 | 19950 | 4000 | 120-277 | Black |
| LL-HBRUECO-200-50-UNV-BK | 200 | 28000 | 5000 | 120-277 | Black |
| LL-HBRUECO-200-40-UNV-BK | 200 | 26600 | 4000 | 120-277 | Black |
| LL-HBRUECO-240-50-UNV-BK | 240 | 33600 | 5000 | 120-277 | Black |
| LL-HBRUECO-240-40-UNV-BK | 240 | 31920 | 4000 | 120-277 | Black |

Mounting Ordering Information

| Part # | Description |
|-------------|---|
| HBRUECO-SY | Highbay Round UFO Econolume Series Small Yoke 100W/150W |
| HBRUECO-LY | Highbay Round UFO Econolume Series Large Yoke 200W/240W |
| HBRUECO-PSH | Highbay Round UFO Econolume Series Pendant Snap Hook |

* Please contact LITELUME for all Custom Option Requests