



## Description

All LED NEMA4X/NSF Exit & Emergency Combo

## Illumination:

- Two fully adjustable, ultra bright 3.3 watt high performance MR-16 base LED lamp heads for optimized center-to-center spacing.
- Long-life, energy efficient Red or Green LED EXIT sign illumination

## Electrical:

- Dual 120V/277 voltage,
- Unique bi-color LED indicator light alerts occupant on battery condition (Green-normal, Red-check-battery).
- Charge rate/power "ON" LED indicator light and push-to-test switch for mandated code compliance testing.
- 6V/12V maintenance-free, rechargeable NiCd battery (12W, 15W models).
- 6V/12V maintenance-free, rechargeable sealed lead acid battery (28W model).
- Offers 4.8W, 7.8W, 20.8W of remote capacity (6V/12V DC output) standard on the 12W, 15W and 28W models.
- Internal solid-state transfer switch automatically connects the internal battery to LED board and LED lamp heads for minimum 90-minute emergency illumination.
- Fully automatic solid-state, two rate charger initiates battery charging to recharge a discharged battery in 24 hours.

## Mounting:

- Universal knockout pattern on back provided with gasket for watertight seal for back mount.
- Polycarbonate mounting canopy included for top or end mount.

## Housing:

- Housing is reinforced polycarbonate construction in white or black finish.
- Corrosion-resistant enclosure with one piece, high-impact resistant, UV stabilized polycarbonate lens and molded gasket with stainless steel screws.
- Knockout's provided for conduit feed applications.
- EZ snap-out Chevron directional indicators.

## Options:

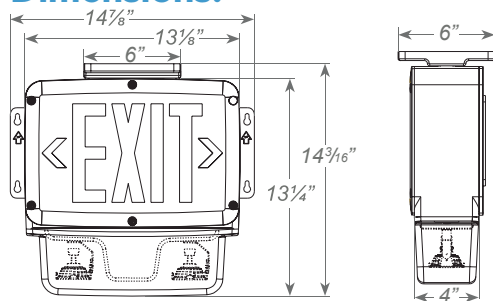
- SDT: Self-diagnostic feature performs monthly, biannual, and annual tests to ensure reliable operation and meets electrical and life safety codes.
- CW: Optional internal heater and battery blanket for extreme cold temperature applications (-20°C – 50°C).
- TP: Tamper-proof hardware helps discourage unauthorized access to the unit.
- NH: No lamp heads attached to the unit enabling it to be used as a remote capable EXIT sign.

## Warranty/Listing:

- Five year warranty on all electronics and housing. Batteries prorated for two (lead acid) / five (NiCd) years.
- Meets UL924, NFPA 101 Life Safety Code, NEC, OSHA, Local and State Codes.
- IP66 rated for Ingress protection.
- NEMA4X rated.
- UL certified for use in food service operations.
- UL listed for wet locations (0°C – 50°C on 12W / 15W and 10°C - 40°C on 28W models).



## Dimensions:





<b>Project Name</b>	
<b>Catalog #</b>	
<b>Job Type</b>	
<b>Prepared By</b>	
<b>Notes</b>	

### Fixture Ordering Information

Model	No. of Faces		Letter Color		Voltage		Wattage		Housing Color		Options	
LL-INDCWLEZU	1	Single Face <sup>1</sup>	R	Red	6	6Volts	12	12 watts	W	White	SDT	Self-Diagnostic
	2	Double Face <sup>2</sup>	G	Green	12	12Volts	15 28	15 watts 28 watts	B	Black	CW TP NH	Cold Weather <sup>3</sup> Tamper-Proof No Heads

<sup>1</sup> Available only in 15W & 28W models.

<sup>2</sup> Available only in 12W models.

<sup>3</sup> Available only in 12W & 15W models.