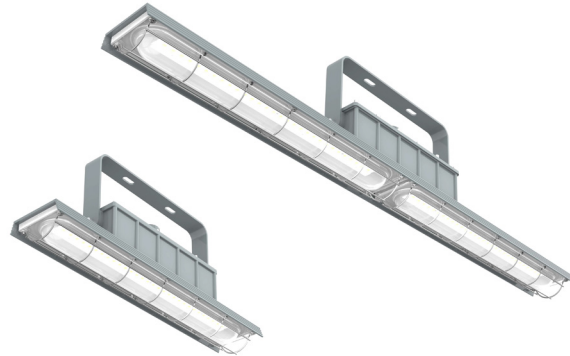




Linear H2/H4 Hazardous Location



Description

The Litelume Linear H2/H4 Hazardous Location (LL-LH2HL/LL-LH4HL) Class 1, Division 2 series luminaire is available with a heavy duty impact resistant polycarbonate lense and comes in 2' and 4' lengths. Designed to replace HID lighting systems up to 250w MH or HPS. Typical lighting applications include industrial facilities, oil, gas, painting facilities, and auto service facilities. Mounting heights of 18 to 30 feet can be used based on light level and uniformity requirements.

Fixture Information

Size:	20W/40W/60W/80W
Housing:	Die-cast Aluminum Housing
Finish:	Powder Coat Finish Over a Chromate Conversion Coating
Color:	Standard: Grey
Mounting:	Surface Mount
Lens:	High Impact Resistant PC
CRI:	80
Temperature:	-40°F to 140F
Voltage:	Standard: 120-277V Optional: 200-480V
Power Factor:	>.90
Surge Protector:	6 kVA
Warranty:	5-Year Limited Warranty

Performance Data

Lumen Output:

15,636 to 19,773 lm

Lumens Per Watt (typical):

124 to 130 lm/W

CCT:

4000K
5000K

Lifespan:

Features Meanwell Driver & Philips Lumileds with up to 100,000 running hours

Ratings & Certificates

Marking ATEX

II3 G Ex ec IIC T5/T6 Gc
II2 D Ex tb IIIC T80/100°C Db IP66

Marking IECEx

Ex ec IIC T5/T6 Gc
Ex tb IIIC T80/100°C Db IP66

Marking UL844 (North American)

Class I, Division 2, Groups A, B, C, D Class II,
Division 1, Groups E, F, G Class II, Division 2,
Groups F, G Class III

Marine Marking

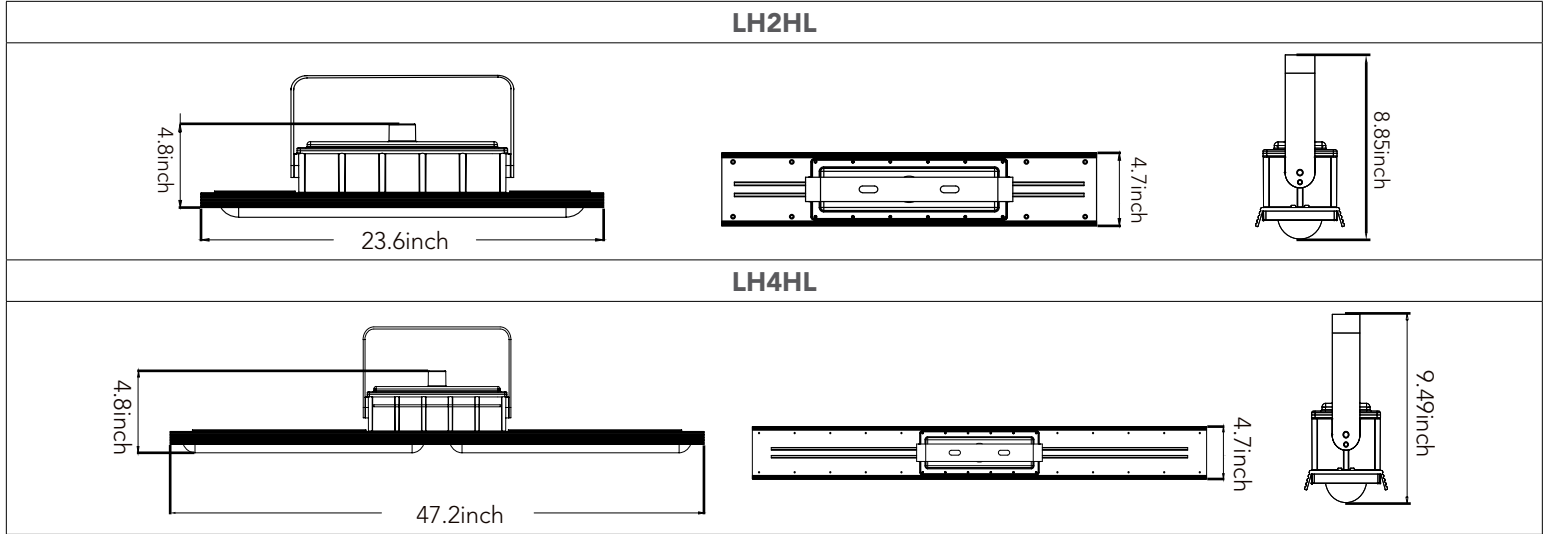
UL 1598
UL1598A
ABS

IP66



Dimension

Item	Height	Width	Length
LH2HL	8.85"	4.7"	23.6"
HL4HL	9.49"	4.7"	47.2"





Project Name	
Catalog #	
Job Type	
Prepared By	
Notes	

Fixture Ordering Information

Part #	Wattage	Lumens	Kelvin	Voltage
LL-LH2HL-20-50-UNV-GY	20	2800	5000	120-277V
LL-LH2HL-20-40-UNV-GY	20	2660	4000	120-277
LL-LH2HL-40-50-UNV-GY	40	5600	5000	120-277
LL-LH2HL-40-40-UNV-GY	40	5320	4000	120-277
LL-LH4HL-40-50-UNV-GY	40	5600	5000	120-277
LL-LH4HL-40-40-UNV-GY	40	5320	4000	120-277
LL-LH4HL-60-50-UNV-GY	60	8400	5000	120-277
LL-LH4HL-60-40-UNV-GY	60	7980	4000	120-277
LL-LH4HL-80-50-UNV-GY	80	11200	5000	120-277
LL-LH4HL-80-40-UNV-GY	80	10640	4000	120-277

Accessories Ordering Information

Part #	Description
SUB "UNV" WITH "HV"	200-480 Volt

* Please contact LITELUME for all Custom Option Requests