



Description

New York City Compliant Steel Exit Sign

Illumination:

- Ultra bright, energy efficient, long life Red LEDs.
- New York City compliant 8" EXIT letters.

Electrical:

- Dual 120/277 voltage.
- Charge rate/power "ON" LED indicator light and push-to-test switch for mandated code compliance testing.
- 3.6V long life, maintenance-free, rechargeable NiCd battery (EM models only).
- Internal solid-state transfer switch automatically connects the internal battery to LED board for minimum 90-minute emergency illumination.
- Fully automatic solid-state, two rate charger initiates battery charging to recharge a discharged battery in 24 hours.

Mounting:

- Aluminum mounting canopy included for top or end mount.
- Universal knockout pattern on back plate for wall mount.
- Knockout provided for conduit feed applications.

Housing:

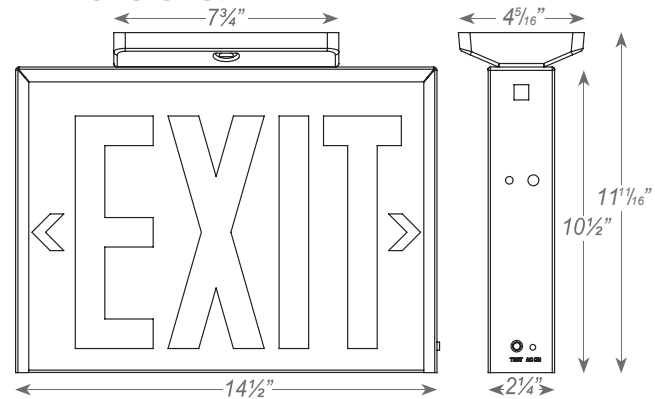
- Durable, powder-coated 20-gauge steel construction in black or white finish.
- Unique design allows double face conversion in the field.
- Field removable steel knockout Chevron directional indicators.

Warranty/Listing:

- Five year warranty on all electronics and housing. Battery prorated for five years.
- Meets UL924, NFPA 101 Life Safety Code, NEC, OSHA, Local and State Codes.
- Certified to CEC under Title 20 Regulations.



Dimensions:





Project Name	
Catalog #	
Job Type	
Prepared By	
Notes	

Fixture Ordering Information

Model	No. of Faces		Letter Color		Housing Color		Battery	
LL-NYXTEU	3	Universal Single/ Double Face	R	Red	W B	White Black	(blank) EM	AC-Only Battery Backup