



Post Top Acorn



Description

The LITELUME™ LED POST TOP ACORN (LL-PTA) features an anti-corrosion, electrostatic polyester powder coated heavy duty die-cast aluminum housing for long-lasting durability. Glare free polycarbonate lens, radiator heat-releasing design and beautiful finished look makes this post top luminaire an excellent choice.

Applications: Municipality, Pathway, Perimeter, Pedestrian and Walkway lighting.

Fixture Information

Size:	40W/60W/80W
Housing:	Die-cast Aluminum Housing
Finish:	Protective powdercoat
Color:	Standard: Bronze, Black Custom Options: White (WH) and Gray (GY)
Mounting:	Tenon fits 3" standard OD
Power Factor:	.95
CRI:	80
Voltage:	Standard: 120-277V
Sensor:	Standard: No sensor Optional: Photocell
Warranty:	5-Year Limited Warranty

Performance Data

Lumen Output:

5600 to 9600 lm

Lumens Per Watt (typical):

120 to 140 lm/W

CCT:

3000K
4000K
5000K

Distribution:

T5

Lifespan:

100,000 hours

Ratings & Certificates

ETL Listed for Wet Location
IP65 Listed

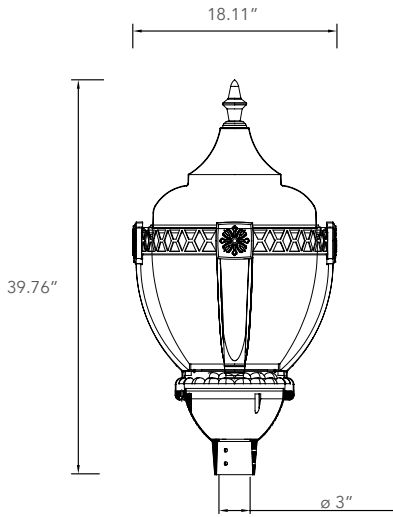


Intertek

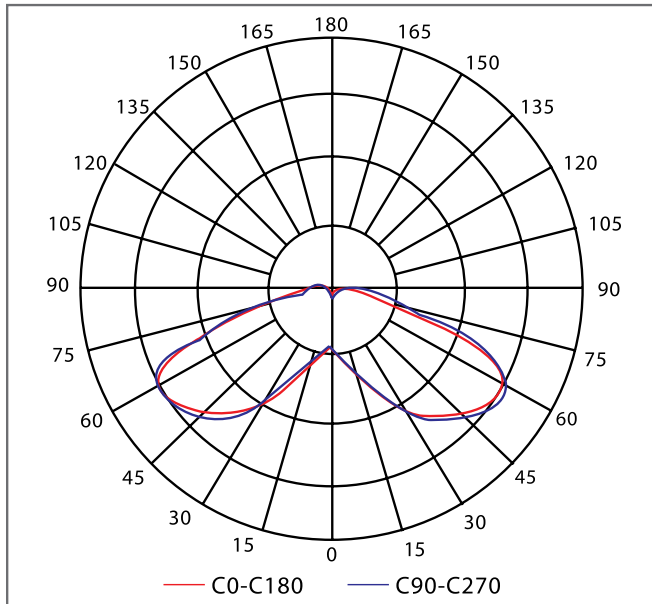


Dimensions

Item	Diameter	Length
Post Top Acorn	18.11"	39.76"



Photometric Data





Project Name	
Catalog #	
Job Type	
Prepared By	
Notes	

Fixture Ordering Information

Part #	Wattage	Lumens	Kelvin	Voltage	Type Distribution
LL-PTA-40/60/80-3CCT-UNV-T5-BZ	40W/60W/ 80W	5600/7800 /9600	3000K/4000K/5000K	120-277	T5
LL-PTA-40/60/80-3CCT-UNV-T5-BK	40W/60W/ 80W	5600/7800 /9600	3000K/4000K/5000K	120-277	T5
LL-PTA-40/60/80-3CCT-UNV-T5-BZ-PC	40W/60W/ 80W	5600/7800 /9600	3000K/4000K/5000K	120-277	T5
LL-PTA-40/60/80-3CCT-UNV-T5-BK-PC	40W/60W/ 80W	5600/7800 /9600	3000K/4000K/5000K	120-277	T5

* Please contact LITELUME for all Custom Option Requests

Accessories Ordering Information

Part #	Wattage
SUB "UNV" WITH "480"	480 Volt

* Please contact LITELUME for all Custom Option Requests

Buy American Act Compliant Ordering Information

Part #	Description
BAA-PTA	Buy American Act Compliant for Post Top Acorn

* Please contact LITELUME for all Custom Option Requests