



## Description

LED Recessed Emergency Unit

## Illumination:

- Ultra-bright, energy efficient, long-life white LED lamp heads.
- 1.0 watt (1 LED x 1.0 watt) per head.
- Unique all-inclusive lamp, reflector, and lens assembly.
- Adjustable LED lamp heads provide up to 50-ft center-to-center spacing with a 3-ft path of egress at 12-ft mounting height.

## Electrical:

- Dual 120/277 voltage
- Unique bi-color LED indicator light alerts occupant on battery condition (Green-normal, Red-check battery).
- Charge rate/power "ON" LED indicator light and push-to-test switch for mandated code compliance testing.
- 4.8V long-life, maintenance-free, rechargeable nickel metal hydride battery.
- Internal solid-state transfer switch automatically connects the internal battery to LED lamp heads for minimum 90-minute emergency illumination.
- Fully automatic solid-state, two rate charger initiates battery charging to recharge a discharged battery in 24 hours.

## Mounting:

- Bar hangers included are compatible with drywall or drop ceiling mount installations.

## Housing:

- Injection-molded, engineering grade, 5VA flame retardant, impact-resistant, thermoplastic in white or black finish.
- Injection-molded, engineering grade, 5VA flame retardant, thermoplastic oval and rectangle trim plates in white or black finish included.

## Warranty/Listing:

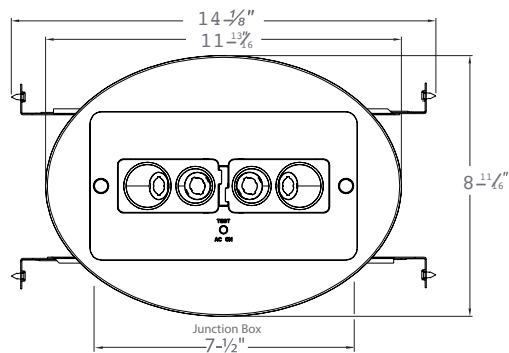
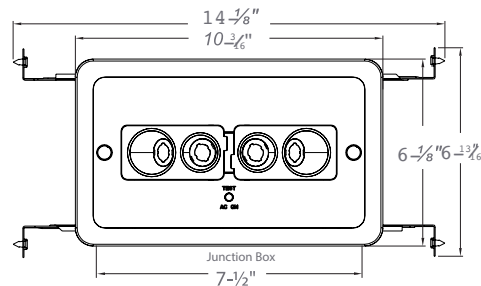
- SDT: Self-diagnostic feature performs monthly, biannual, and annual tests to ensure reliable operation and meets electrical and life safety codes.

## Warranty/Listing:

- Five-year warranty on all electronics and housing. Battery pro rated for five years.
- UL Listed for damp locations (10°C – 50°C).
- Meets UL924, NFPA 101 Life Safety Code, NEC, OSHA, Local and State Codes



## Dimensions:





<b>Project Name</b>	
<b>Catalog #</b>	
<b>Job Type</b>	
<b>Prepared By</b>	
<b>Notes</b>	

### Fixture Ordering Information

<b>Model</b>	<b>Housing Color</b>		<b>Options</b>	
LL-EM	W B	White Black	SDT	Self Diagnostics