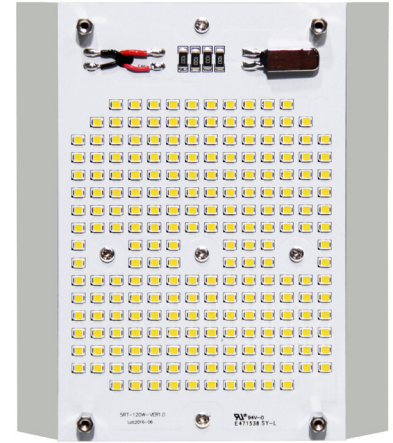
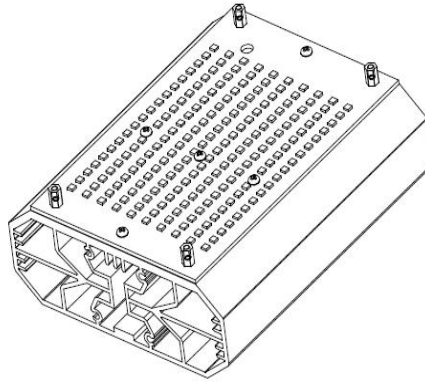




Retrofit Kit Medium



Description

The LITELUME RETROFIT KIT MEDIUM RETROLUME SERIES (LL-RKM) features a rigid die cast innovative optic design. High quality Nichia LEDs powered with a Meanwell driver and simple installation allows for complete upgrade while restoring fixtures originality.

Applications: Area Lights, Flood lights, Wall packs, Canopies, General, and spec grade municipality fixtures.

Fixture Information

Size:	75W/100W/120W
Housing:	Die-cast aluminum housing
Finish:	Protective powdercoat
Fan:	Sunon
Driver:	Meanwell
LEDs:	Nichia
Dimmable:	Optional
Replacement:	250-400W MH/HPS
Operating Temperature:	-25°C to 55°C
Power Factor:	.95
CRI:	80
Voltage:	120-277V 480V optional
Surge Protector:	No Sensor
Warranty:	10-Year Limited Warranty

Performance Data

Lumen Output:

8656 to 15236 lm

Lumens Per Watt (typical):

120 to 127 lm/W

CCT:

4000K
5000K

Lifespan:

Features High Quality Nichia LED's with up to 100,000 running hours

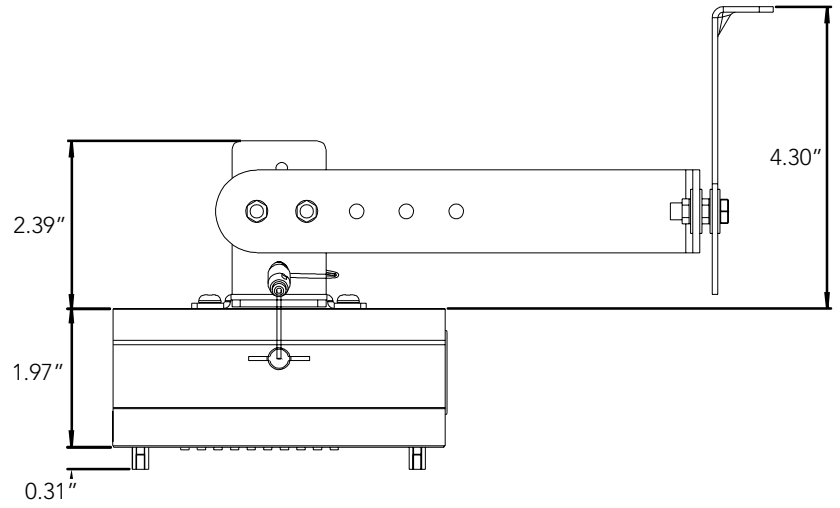
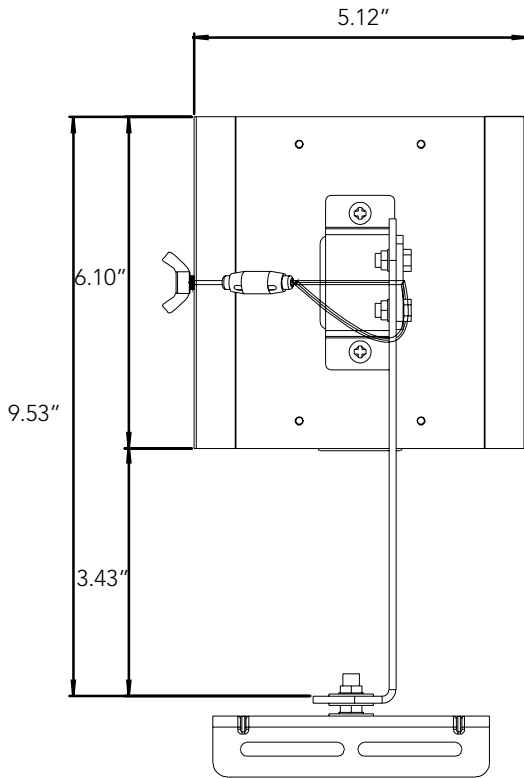
Ratings & Certificates

ETL Listed





Dimensions





Project Name	
Catalog #	
Job Type	
Prepared By	
Notes	

Fixture Ordering Information

Part #	Wattage	Lumens	Kelvin	Voltage	Type Distribution
LL-RKM-75-50-UNV	75	9112	5000	120-277	T5
LL-RKM-75-40-UNV	75	8656	4000	120-277	T5
LL-RKM-100-50-UNV	100	13123	5000	120-277	T5
LL-RKM-100-40-UNV	100	12967	4000	120-277	T5
LL-RKM-120-50-UNV	120	15236	5000	120-277	T5
LL-RKM-120-40-UNV	120	14474	4000	120-277	T5

* Please contact LITELUME for all Custom Option Requests

Accessories Ordering Information

Part #	Description
SUB "UNV" with "480"	480 Volt

* Please contact LITELUME for all Custom Option Requests