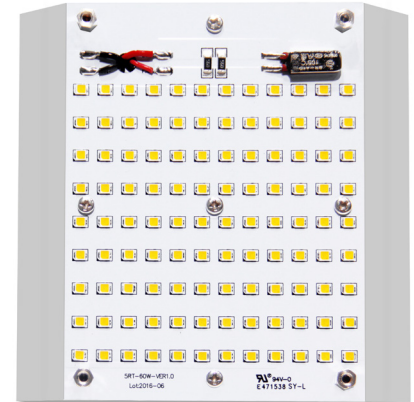
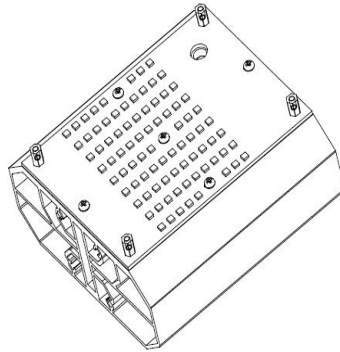




Retrofit Kit Small



Description

The LITELUME RETROFIT KIT SMALL RETROLUME SERIES (LL-RKS) features a rigid die cast innovative optic design. High quality Nichia LEDs powered with a Meanwell driver and simple installation allows for complete upgrade while restoring fixtures originality.

Applications: Area Lights, Flood lights, Wall packs, Canopies, General, and spec grade municipality fixtures.

Fixture Information

Size:	30W/45W/60W
Housing:	Die-cast aluminum housing
Finish:	Protective powdercoat
Fan:	Sunon
Driver:	Meanwell
LEDs:	Nichia
Dimmable:	Optional
Replacement:	150-250WW MH/HPS
Operating Temperature:	-35°C to 55°C
Power Factor:	.95
CRI:	80
Voltage:	120-277V 480V optional
Surge Protector:	No Sensor
Warranty:	10-Year Limited Warranty

Performance Data

Lumen Output:

3648 to 6728 lm

Lumens Per Watt (typical):

120 to 127 lm/W

CCT:

4000K
5000K

Lifespan:

Features High Quality Nichia LED's with up to 100,000 running hours

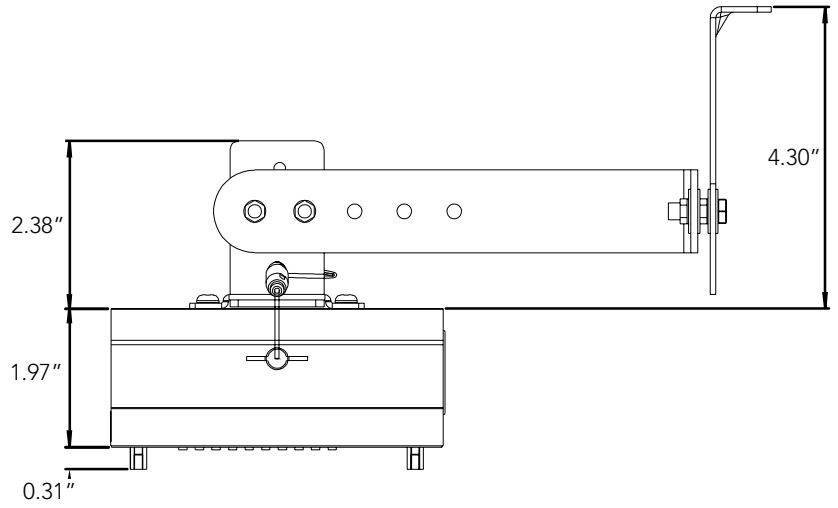
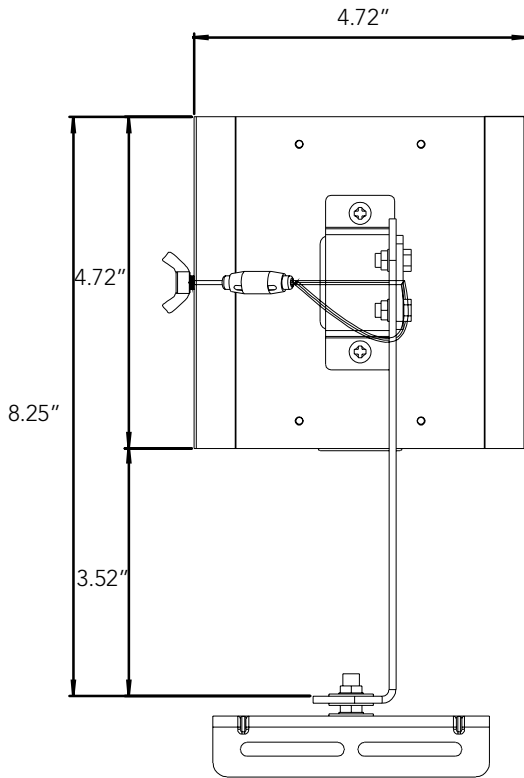
Ratings & Certificates

ETL Listed





Dimensions





Project Name	
Catalog #	
Job Type	
Prepared By	
Notes	

Fixture Ordering Information

Part #	Wattage	Lumens	Kelvin	Voltage	Type Distribution
LL-RKS-30-50-UNV	30	3840	5000	120-277	T5
LL-RKS-30-40-UNV	30	3648	4000	120-277	T5
LL-RKS-45-50-UNV	45	5713	5000	120-277	T5
LL-RKS-45-40-UNV	45	5427	4000	120-277	T5
LL-RKS-60-50-UNV	60	6728	5000	120-277	T5
LL-RKS-60-40-UNV	60	6391	4000	120-277	T5

* Please contact LITELUME for all Custom Option Requests

Accessories Ordering Information

Part #	Description
SUB "UNV" with "480"	480 Volt

* Please contact LITELUME for all Custom Option Requests