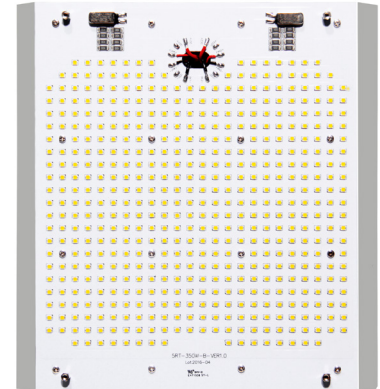
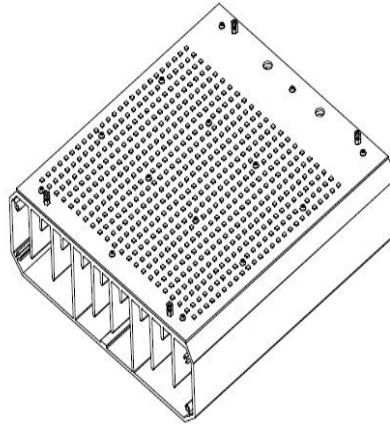




# Retrofit Kit Extra Large



## Description

The LITELUME RETROFIT KIT EXTRA LARGE RETROLUME SERIES (LL-RKXL) features a rigid die cast innovative optic design. High quality Nichia LEDs powered with a Meanwell driver and simple installation allows for complete upgrade while restoring fixtures originality.

Applications: Area Lights, Flood lights, Wall packs, Canopies, General, and spec grade municipality fixtures.

## Fixture Information

Size:	280W/320W/350W
Housing:	Die-cast aluminum housing
Finish:	Protective powdercoat
Fan:	Sunon
Driver:	Meanwell
LEDs:	Nichia
Dimmable:	Optional
Replacement:	750-1000W MH/HPS
Operating Temperature:	-25°C to 55°C
Power Factor:	.95
CRI:	80
Voltage:	120-277V 480V optional
Surge Protector:	No Sensor
Warranty:	10-Year Limited Warranty

## Performance Data

### Lumen Output:

33336 to 43514 lm

### Lumens Per Watt (typical):

120 to 127 lm/W

### CCT:

4000K  
5000K

### Lifespan:

Features High Quality Nichia LED's with up to 100,000 running hours

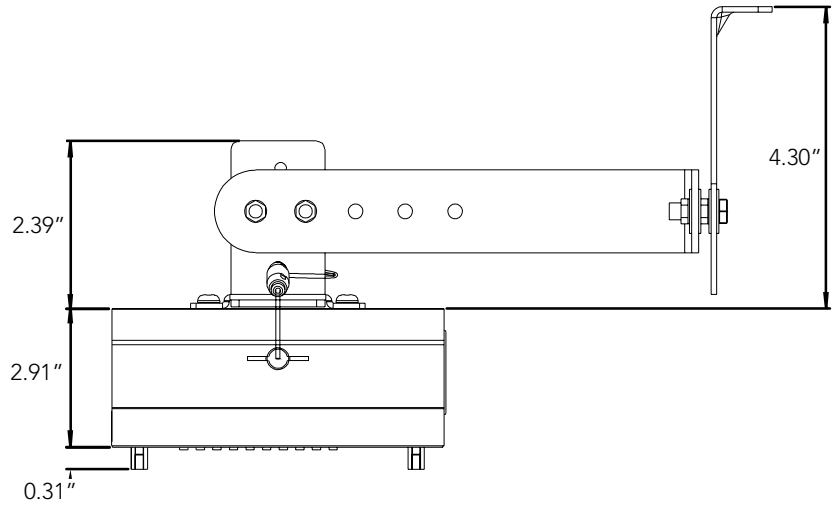
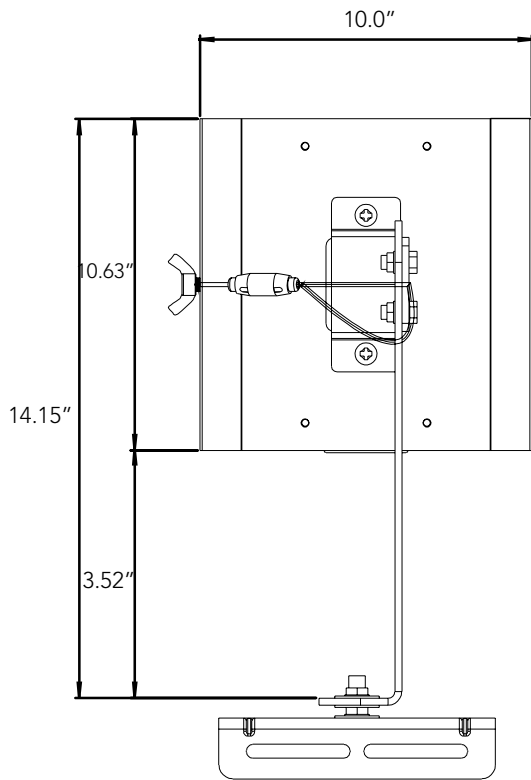
## Ratings & Certificates

ETL Listed





## Dimensions





<b>Project Name</b>	
<b>Catalog #</b>	
<b>Job Type</b>	
<b>Prepared By</b>	
<b>Notes</b>	

### Fixture Ordering Information

Part #	Wattage	Lumens	Kelvin	Voltage	Type Distribution
LL-RKXL-280-50-UNV	280	35133	5000	120-277	T5
LL-RKXL-280-40-UNV	280	33376	4000	120-277	T5
LL-RKXL-320-50-UNV	320	40020	5000	120-277	T5
LL-RKXL-320-40-UNV	320	38019	4000	120-277	T5
LL-RKXL-350-50-UNV	350	43514	5000	120-277	T5
LL-RKXL-350-40-UNV	350	41338	4000	120-277	T5

\* Please contact LITELUME for all Custom Option Requests

### Accessories Ordering Information

Part #	Description
SUB "UNV" with "480"	480 Volt

\* Please contact LITELUME for all Custom Option Requests