



### Description

The LITELUME™ Roadway (LL-RW) Draws attention with a heavy duty die-cast aluminum housing, outstanding corrosion protection, uncompromising optical performance and un-matched versatility for a wide variety of area and roadway applications. Featuring a single latch tool-less entry, terminal block power set up, industry leading surge protection options, superior lumen maintenance with a robust yet economical design.

Applications: Roadways, Multi-family, Community and general site illumination.

### Fixture Information

Size:	70W/105W/150W
Housing:	Die-cast Aluminum Housing
Finish:	Protective powdercoat
Color:	Standard: Grey Custom Options: Black (BK) White (WH) Bronze (BZ)
Mounting:	Standard: Pole Mount fits up to 2" OD
Lens:	Polycarbonate
CRI:	80
Voltage:	Standard: 120-277V Optional: 480V
Sensor:	Standard: No sensor Custom: Twistlock Photocell (120-277V)
Power Factor:	.95
Warranty:	10-Year Limited Warranty

### Performance Data

#### Lumen Output:

9,600 to 20,000 lm

#### Lumens Per Watt (typical):

135 to 141 lm/W

#### CCT:

3000K  
4000K  
5000K

#### Distribution

T2  
T3

#### Lifespan:

Features Philip Lumileds with up to 100,000 running hours

#### Ratings & Certificates

UL Listed For Wet Location  
IP66 rated



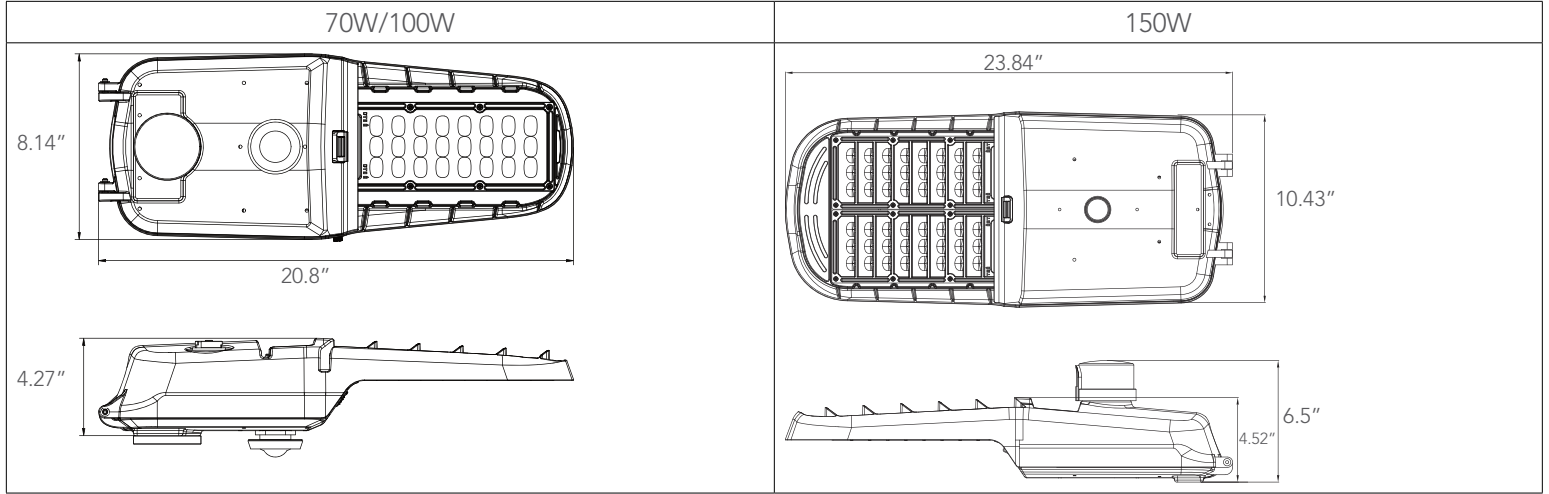
### QuickShip Ordering Information

Part #
LL-RW-70-40-UNV-T3-GY-TLPC
LL-RW-105-40-UNV-T3-GY-TLPC
LL-RW-150-40-UNV-T3-GY-TLPC



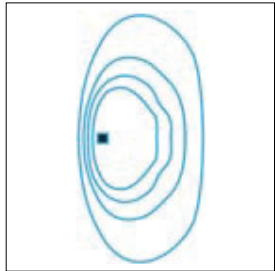
### Dimension

Item	Width	Length	Height
70W/100W	8.14"	20.8"	4.27"
150W	10.43"	23.84"	4.52"

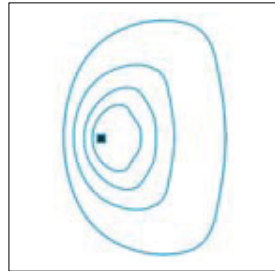


### Photometrics

Type 2



Type 3





<b>Project Name</b>	
<b>Catalog #</b>	
<b>Job Type</b>	
<b>Prepared By</b>	
<b>Notes</b>	

### Fixture Ordering Information

Part #	Wattage	Lumens	Kelvin	Voltage	Distribution
LL-RW-70-50-UNV-T2-GY	70	9900	5000	120-277	T2
LL-RW-70-40-UNV-T2-GY	70	9900	4000	120-277	T2
LL-RW-70-30-UNV-T2-GY	70	9600	3000	120-277	T2
LL-RW-70-50-UNV-T3-GY	70	9900	5000	120-277	T3
LL-RW-70-40-UNV-T3-GY	70	9900	4000	120-277	T3
LL-RW-70-30-UNV-T3-GY	70	9600	3000	120-277	T3
LL-RW-105-50-UNV-T2-GY	105	14600	5000	120-277	T2
LL-RW-105-40-UNV-T2-GY	105	14600	4000	120-277	T2
LL-RW-105-30-UNV-T2-GY	105	14300	3000	120-277	T2
LL-RW-105-50-UNV-T3-GY	105	14600	5000	120-277	T3
LL-RW-105-40-UNV-T3-GY	105	14600	4000	120-277	T3
LL-RW-105-30-UNV-T3-GY	105	14300	3000	120-277	T3
LL-RW-150-50-UNV-T2-GY	150	20000	5000	120-277	T2
LL-RW-150-40-UNV-T2-GY	150	20000	4000	120-277	T2
LL-RW-150-30-UNV-T2-GY	150	19500	3000	120-277	T2
LL-RW-150-50-UNV-T3-GY	150	20000	5000	120-277	T3
LL-RW-150-40-UNV-T3-GY	150	20000	4000	120-277	T3
LL-RW-150-30-UNV-T3-GY	150	19500	3000	120-277	T3

\* Please contact LITELUME for all Custom Option Requests



<b>Project Name</b>	
<b>Catalog #</b>	
<b>Job Type</b>	
<b>Prepared By</b>	
<b>Notes</b>	

### QuickShip Ordering Information

<b>Part #</b>
LL-RW-70-40-UNV-T3-GY-TLPC
LL-RW-100-40-UNV-T3-GY-TLPC
LL-RW-150-40-UNV-T3-GY-TLPC

### Accessories Ordering Information

Part #	Wattage
R3	Twist Lock Receptacle 3 Pin
R7	Twist Lock Receptacle 7 Pin
TLPC	Twist Lock Photocell & Receptacle 120-277V
TLPC480	Twist Lock Photocell & Receptacle 480V
MS20	Bi-Level PIR Motion Sensor 20
SUB "UNV" WITH "480"	480 Volt

\* Please contact LITELUME for all Custom Option Requests

### Buy American Act Compliant Ordering Information

Part #	Description
BAA-RW	Buy American Act Compliant for Roadway

\* Please contact LITELUME for all Custom Option Requests