



Sconce Marina Jar



Description

The LITELUME™ Sconce Marina Jar (LL-SMJ) luminaire incorporates semi marina look with a fresh jar design. Features a die-formed cold rolled steel housing in black, with availability to special order in satin nickel, oil rubbed bronze or custom colors with a glass lens. Offering a standard 12w model in 3000k, high power factor and low THD.

Applications: commercial, residential, hospitality and entertainment.

Fixture Information

Size:	12W
Housing:	Die-formed cold rolled steel
Finish:	Protective powder coat
Color:	Standard: Black (BK) Optional Special Order: Satin Nickel (SN) Optional Special Order: Oil Rubbed Bronze (ORB) Optional Special Order: Custom (CUS)
Mounting:	Standard: Wall Mount
Lens:	Crystal Glass
CRI:	80
Power Factor:	.90
Voltage:	Standard: 120V
Warranty:	10-Year Limited Warranty

Performance Data

Lumen Output:

1148 lm

Lumens Per Watt (typical):

96 lm/W

CCT:

3000K

Ratings & Certificates

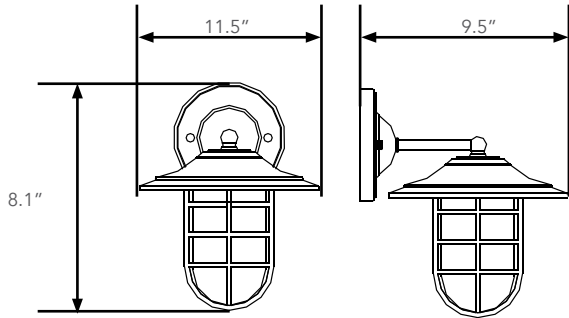
ETL/cETL Listed
Damp Location Listed





Dimension

Item	Width	Depth	Height
12W	11.5"	9.5"	8.1"





Project Name	
Catalog #	
Job Type	
Prepared By	
Notes	

Fixture Ordering Information

Part #	Wattage	Lumens	Kelvin	Voltage	Color
LL-SMJ-12-30-120-BK	12	1148	3000	120	Black

* Please contact LITELUME for all Custom Option Requests

Special Order

Part #	Wattage	Lumens	Kelvin	Voltage	Color
LL-SMJ-12-30-120-SN	12	1148	3000	120	Satin Nickel
LL-SMJ-12-30-120-ORB	12	1148	3000	120	Oil Rubbed Bronze
LL-SMJ-12-30-120-CUS	12	1148	3000	120	Custom

* Please contact LITELUME for all Custom Option Requests