



Description

The LED Small Pack (LL-SMPK) is a new compact luminaire utilizing the latest generation of LED chips and a patented smart controller, this uniquely designed wall pack replaces traditional fixtures 70W - 250W metal halide, and also has multiple CCT to choose from based on different environments. Housing is made out of a die-cast aluminum with reliable powder coating specifically for a harsh outdoor environment. It is attractive in appearance and performance.

Fixture Information

Size:	22W
Housing:	Die-cast aluminum body
Lens:	High Impact Polycarbonate Lens
Finish:	UV Stabilized Powder coated finish
Color:	Standard: Bronze, Custom option available
Starting Temp:	-40°C to +40°C
CRI:	80+
THD:	<20%
Power Factor:	.90
Voltage:	Standard: 120-277V
Warranty:	10 Year Warranty

Performance Data

Lumen Output:

3000 lm

Lumens Per Watt (typical):

136 lm/W

CCT:

3000K/4000K/5000K SELECTABLE

Ratings & Certificates

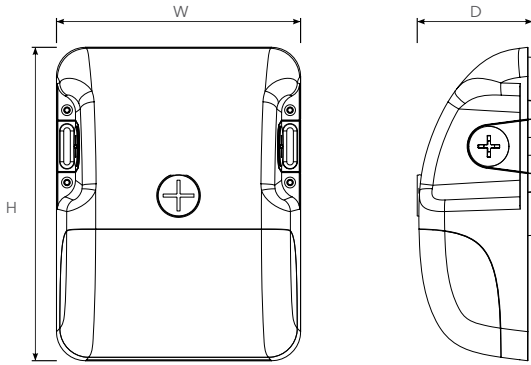
UL & cUL Listed





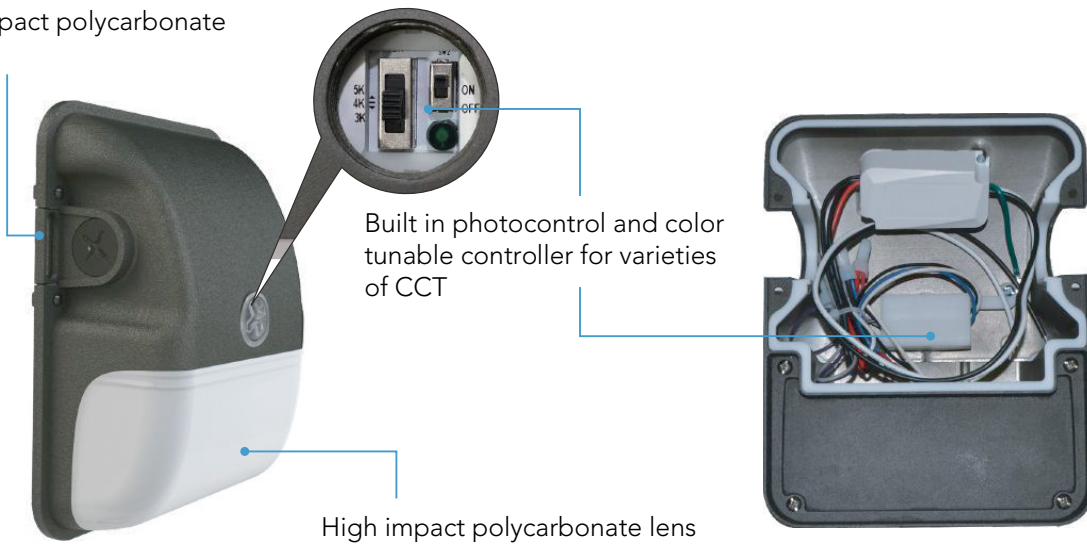
Dimensions

Item	Height	Width	Depth
SMPK	8.02"	6.25"	2.8"

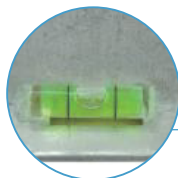


Product Description

High impact polycarbonate housing



Built in level bubble for easy and fast installation



Level Bubble



Back ring design for even-balanced installation compatible with both round, octagon, and squared junction box





Project Name	
Catalog #	
Job Type	
Prepared By	
Notes	

Fixture Ordering Information

Part #	Wattage	Lumens	Kelvin	Voltage
LL-SMPK-22-3CCT-UNV-BZ-PC	22	3000	3000K/4000K/5000K	120-277