

Wallpack Medium Full Cutoff Installation Instructions

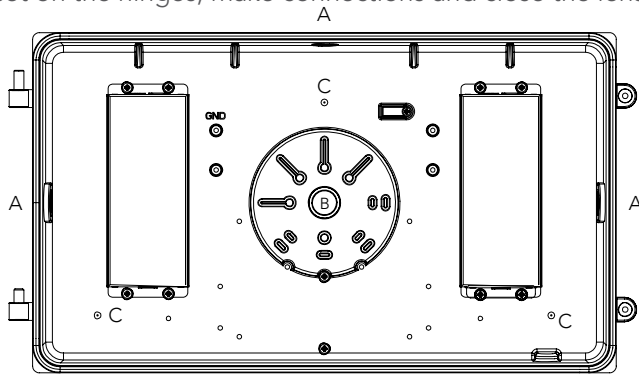


⚠ Warning

1. To avoid electric shock, disconnect power at source prior to installation.
2. The installation should be performed by qualified electricians or lighting technicians.
3. Before conducting any installation, maintenance, or removal, disable all power to the luminaries and wait until the fixture cool down.
4. Do not touch the fixture while it is in service.
5. If there is any problem with the fixture, DO turn off power and DO NOT attempt repair unless you are a qualified technician or the customer service member.

Junction Box Mounting

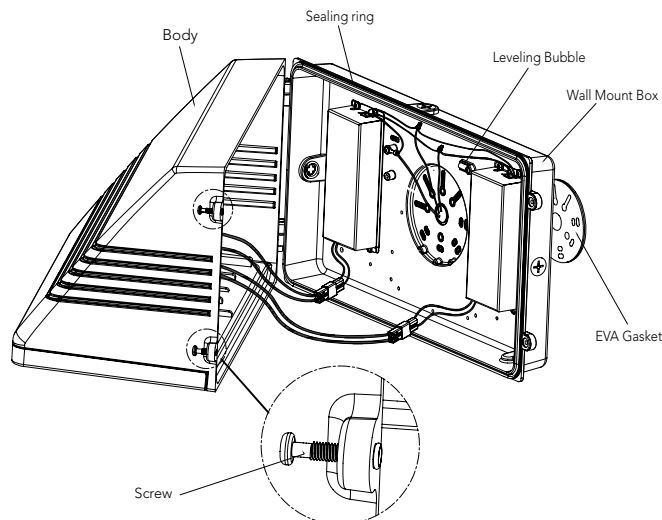
1. Loosen screws and remove the front lens set carefully from the back plate.
2. Drill appropriate knockouts (B) for wiring, the fixture supports standard 3 1/4" and 4" Junction box.
3. Attach the back plate on the wall, use the supplied gaskets for a weather tight seal.
4. Finish wiring (Black for Line, White for Neutral and Yellow Green for Ground).
5. Replace the lens set on the hinges, make connections and close the lens set then tighten the screws.



- A - 1/2" NPS tapped holes
(surface conduit or photo cont rol)
B - 3/4" dia. Screw hole

Conduit Installation

1. Loosen screws and remove the front lens set carefully from the back plate.
2. Remove 1/2" plug from where you intend to feed conduit .
3. Drilling out the holes (C) to secure it on the wall with choosing proper screws.
4. Finish wiring (Black for Line, White for Neutral and Yellow Green for Ground).
5. Replace the lens set on the hinges, make connections and close the lens set then tighten the screws.



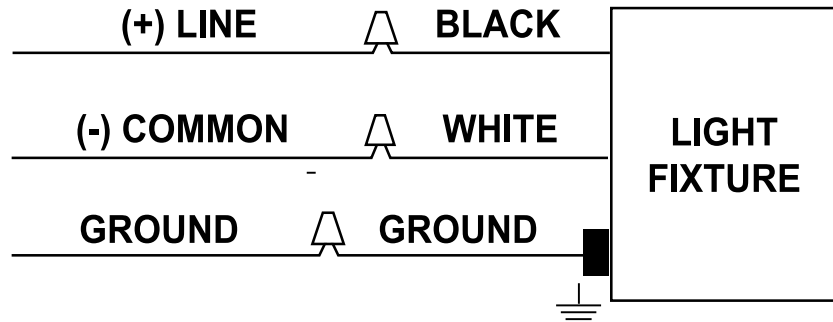
Wallpack Medium Full Cutoff Installation Instructions



ON-OFF Wiring

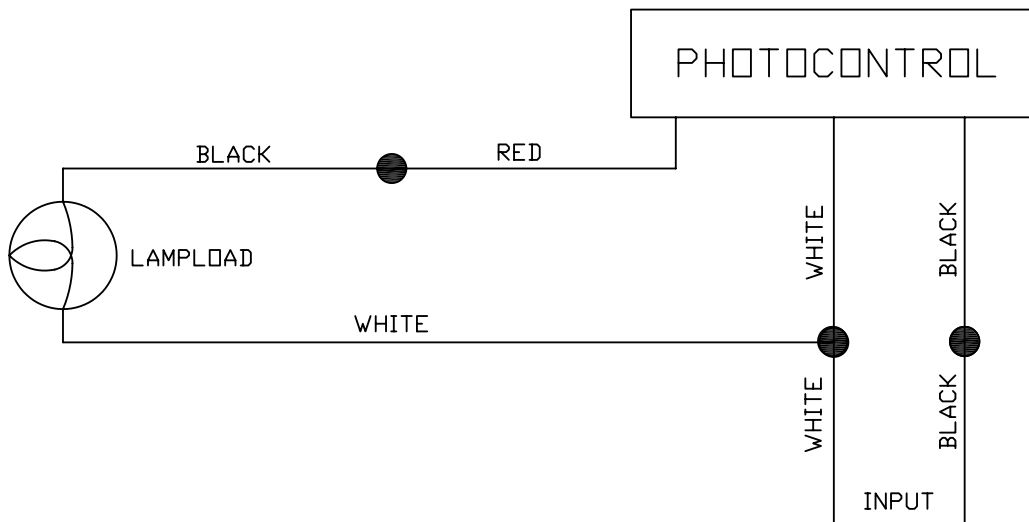
Universal voltage driver permits operation at 120V to 277VAC, 60 Hz except fixtures factory ordered with a 120V photocell (P1) or 277V photocell (P2) or 347V photocell (P3)

1. Connect the Black fixture lead to the (+) LINE supply lead.
2. Connect the White fixture lead to the (-) COMMON supply lead.
3. Connect the Yellow/Green wire from fixture to supply ground.



Photocell Installation

1. Install photocell and wire as per diagram.
2. Use photocell rated for your supply voltage.



Cleaning and Maintenance

CAUTION: Be sure the fixture temperature is cool enough to touch. Do not clean or maintain while fixture is energized.

1. Clean glass lens with non-abrasive glass cleaning solution.
2. Do not open the fixture to clean the LED. Do not touch the LEDs.

Troubleshooting

1. Check that the line voltage at the fixture is correct. Refer to wiring diagram above.
2. Is the fixture grounded properly?
3. Be sure the photocell, if used, is functioning properly.