



# Plug and Play Bi-Level Microwave Motion Sensor



## Description

The Litelume Plug and Play Bi-Level Microwave Motion Sensor (MSP) is a motion sensor that dims lighting from high to low based on movement. This slim, low profile sensor is designed for installation inside the bottom of a light fixture body.

The sensors use microwave sensing technology that reacts to changes in movement within the coverage area. Once the sensors stops detecting movement and the time delay elapses lights will go from high to low mode and eventually to an OFF position if it is desired. Sensors must directly "see" motion of a person or moving object to detect them, so careful consideration must be given to sensor luminaire placement and lens selection. Avoid placing the sensor where obstructions may block the sensor's line of sight.

## Specifications

- Power Supply: 12V-24V DC, >50mA
- Dim Control Output: 0-10V, max. 25mA sinking current
- HF System: 5.8 GHz  $\pm$ 75MHz
- Transmission power: <0.2mW
- Detection radius: 20% 50% 75% 100% (1-8m)
- Mounting height: Max 50ft (15 meters)
- Time setting: 10s / 1min / 5min / 10min / 20min / 30min / 60min
- Light-control: 24H / 10LUX / 30LUX / 50LUX
- Temperature: -4°F to +140°F (-20°C to +60°C)
- IP Rating: IP65

## Warning

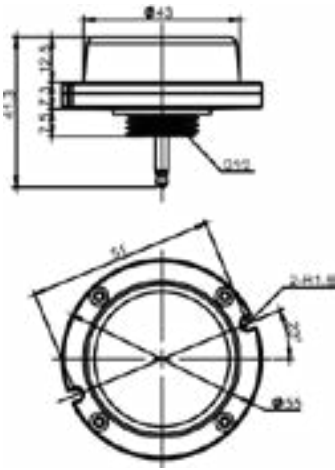
**NOTE:** Warm up time is 15 seconds. After the sensor connects input power first time, the light will keep on 15 seconds, then go to dimming to work normally.

**NOTE:** Factory Default Setting: 100% sensitivity, Hold on time: 5min, Daylight sensor is ☀, Dimming level: 30%, Dimming time: 60min.

**NOTE:** Any setting changed by remote control, the LED light that sensor connect will on/off as confirm.



### Dimension



### Corridor Function

This function inside the motion sensor to achieve tri-level control, for some areas which require a light change notice before switch-off. The sensor offers 3 levels of light: 100% --> dimmed light (natural light is insufficient) --> off; and 2 periods of selectable waiting time: motion hold-time and stand-by period; Selectable daylight threshold and freedom of detection area.



With sufficient natural light, the light does not switch on when presence is detected.



With insufficient natural light, the sensor switches on the light automatically when presence is detected.



After hold-time, the light dims to stand-by level if the surrounding natural light is below the daylight threshold.



Light switches off automatically after the stand-by period elapses.

### Daylight Sensor Function

Open the daylight sensor by push when remote control is in setting condition.



With sufficient natural light, the light does not switch on when presence is detected.

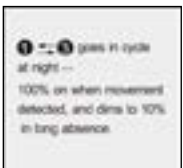


With insufficient natural light, the sensor switches on the light automatically when presence is detected.



After hold-time, the light dims to stand-by level if the surrounding natural light is below the daylight threshold.

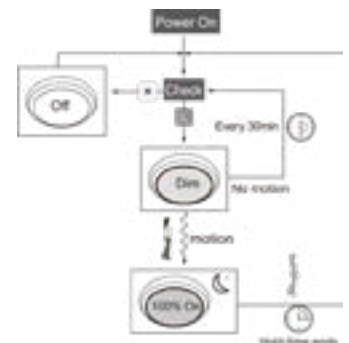
Settings on this demonstration:  
Hold-time: 30min  
Setpoint On: 50lux  
Setpoint Off: 300lux  
Stand-by Dim: 10%  
Stand-by Period: +∞  
(when the smart photocell sensor open, the stand-by time is only+∞)



When the natural light level exceeds setpoint off to light, the light will turn off even if when the space is occupied.

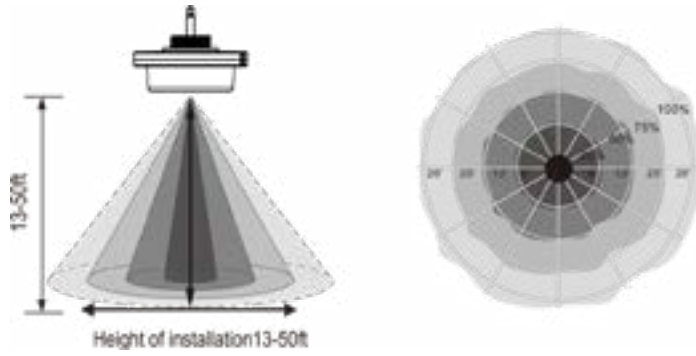


The light automatically turns on at 10% when natural light is insufficient (no motion).





## Sensor Coverage





<b>Project Name</b>	
<b>Catalog #</b>	
<b>Job Type</b>	
<b>Prepared By</b>	
<b>Notes</b>	

## Ordering Information

<b>Part #</b>	<b>Wattage</b>
MSP	Plug and Play Bi-Level Microwave Motion Sensor
LL-100	Remote Control

\* Please contact LITELUME for all Custom Option Requests