



# 4" Commercial LED Architectural Recessed Can Trim & Frame In Kit



## Description

The LITELUME™ 4" Commercial Led Architectural Recessed Can Trim & Frame In Kit (RCTF-4) features a self-flanged deep cone aluminum reflector with frosted lens for precision light. Junction box is mounted on the frame for easy wiring, driver access and installation. Die cast aluminum heat sink for thermal management.

## Fixture Information

Size:	21W/28W
Frame:	Galvanized steel
Trim:	Tapered Aluminum
Optics:	3 step LED binning process. Self-flanged deep cone frosted lens. Semi-Specular finish.
CRI:	80
Power Factor:	.95
Dimming:	0-10V, 10%
Voltage:	120-277V
Operating Temperature:	-22° F to 104° F
Mounting:	Standard: C Channel. Optional: Flat bar hangers available for ceiling grid mounting (order separately).
Warranty:	7-Year Limited Warranty

## Performance Data

### Lumen Output:

1,590 to 1,940 lm

### CCT:

3000K  
4000K

### Lifespan:

Features high performance LED's with up to 70,000 running hours

## Ratings & Certificates

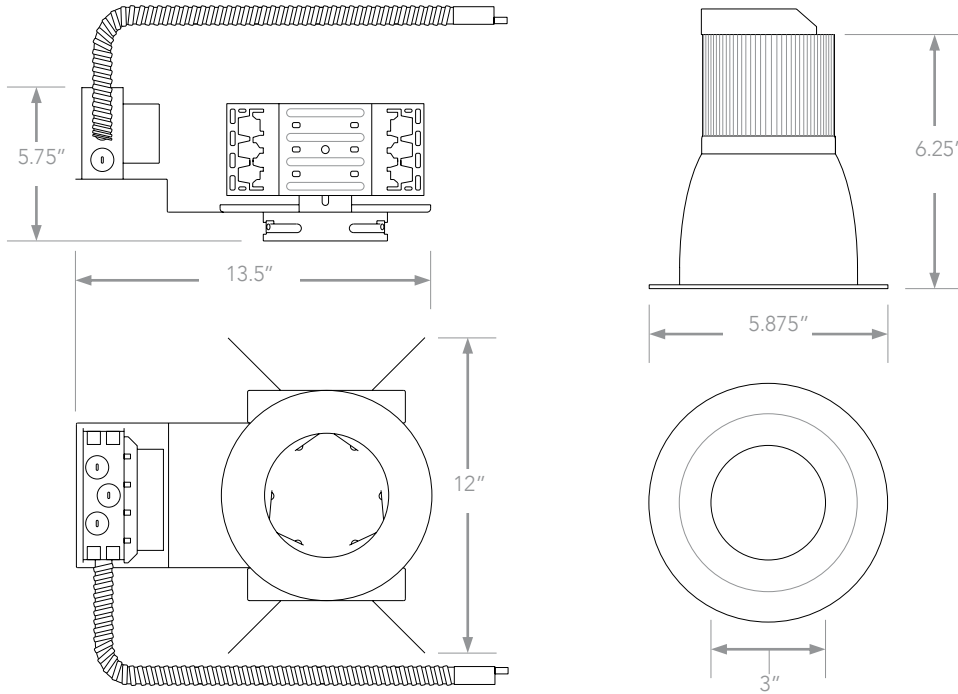
cULus listed for damp and wet locations  
Complies with RoHS (Restriction on Hazardous Substances) requirement  
Title 24 Compliant



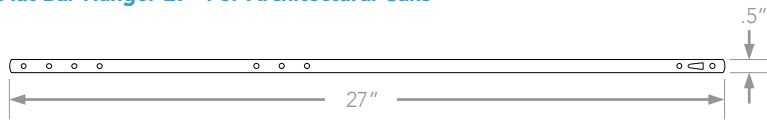


### Dimension

Item	Height	Width
21W/28W	6.25"	5.875"



### Flat Bar Hanger 27" For Architectural Cans





<b>Project Name</b>	
<b>Catalog #</b>	
<b>Job Type</b>	
<b>Prepared By</b>	
<b>Notes</b>	

## Fixture Ordering Information

Part #	Wattage	Lumens	Kelvin	Voltage
LL-RCTF-4-28-40-UNV-DM	28	1940	4000K	120-277V
LL-RCTF-4-21-30-UNV-DM	21	1590	3000K	120-277V

## Accessories Ordering Information

Part #	Description
LL-ZZ-BARHANGER-ARCHCAN-FLAT27"	Flat Bar Hanger 27" For Architectural Cans

\* Please contact LITELUME for all Custom Option Requests