



Wallpack Medium



Description

The LITELUME™ Wallpack Medium (LL-WPM) features a die-cast aluminum housing with a clear PC lens for long-lasting durability. Field adjustable light engine, CCT and Wattage Selectable.

Applications: Hallway, Perimeter lighting and Walkway lighting.

Fixture Information

Size:	24W/36W/40W/48W/60W/ 80W/100W
Housing:	Die-cast Aluminum Housing
Finish:	Protective powdercoat
Color:	Standard: Bronze Custom Options: Black (BK) White (WH) Grey (GY)
Mounting:	Standard: Wall Mount
Lens:	Standard: PC Optional: Borosilicate Glass
Power Factor:	.90
CRI:	80
THD:	<20%
Operating Temperature:	-40°F to 104°F
Surge Protection:	Optional: 10 kVA
Voltage:	Standard: 120-277V
Dimmable:	Standard: 0-10v continuous, 12Vdc auxiliary dimming
Sensor:	Standard: Photocell with ON/OFF DIP switch Standard: Sharkward Base Plug and Play ready
Warranty:	10-Year Limited Warranty

Performance Data

Lumen Output:

3,900 to 14,000 lm

Lumens Per Watt (typical):

130-175 lm/W

CCT:

3000K

4000K

5000K

Lifespan:

Up to 100,000 running hours

Ratings & Certificates

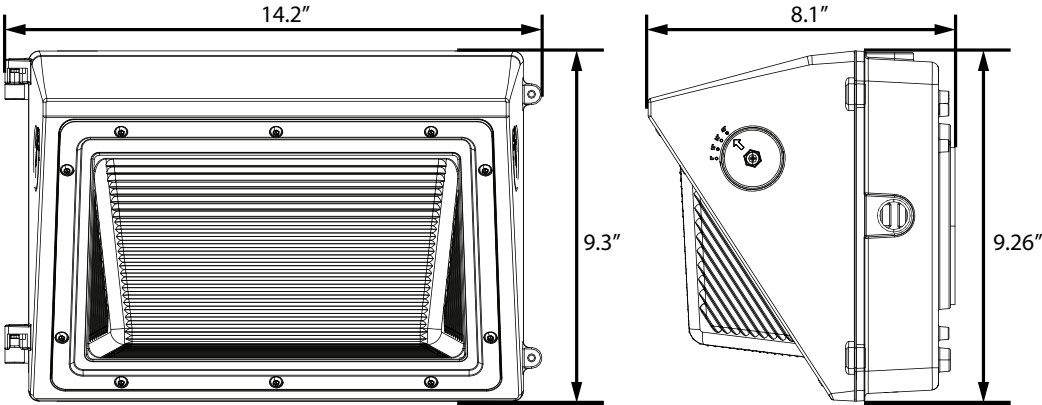
UL Listed For Wet Location
Title 24 Compliant
TAA Compliant/BAA Optional





Dimension

Item	Width	Length	Height
WPM	14.2"	8.1"	9.3"



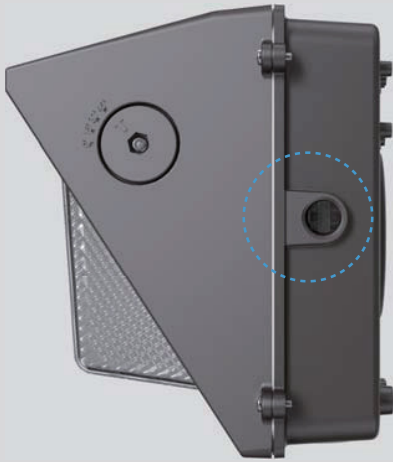
CCT and Wattage Adjustable

LL-WPM 60W @ 45 Degree Setting								
Switch Setting	System Watts	CRI	3000K		4000K		5000K	
			Lumens	LPW	Lumens	LPW	Lumens	LPW
100%	60W	80	8400 lms	140 lm/W	8900 lms	148 lm/W	8600 lms	143 lm/W
80%	48W	80	7100 lms	148 lm/W	7500 lms	156 lm/W	7300 lms	152 lm/W
60%	36W	80	5600 lms	156 lm/W	6000 lms	167 lm/W	5700 lms	158 lm/W
40%	24W	80	3900 lms	163 lm/W	4200 lms	175 lm/W	4000 lms	167 lm/W

LL-WPM 100W @ 45 Degree Setting								
Switch Setting	System Watts	CRI	3000K		4000K		5000K	
			Lumens	LPW	Lumens	LPW	Lumens	LPW
100%	100W	80	13000 lms	130 lm/W	14000 lms	140 lm/W	13500 lms	135 lm/W
80%	80W	80	11000 lms	138 lm/W	12000 lms	150 lm/W	11400 lms	143 lm/W
60%	60W	80	8700 lms	145 lm/W	9500 lms	158 lm/W	9000 lms	150 lm/W
40%	40W	80	6000 lms	150 lm/W	6600 lms	165 lm/W	6250 lms	156 lm/W



Features



CCT and Wattage

This fixture has the function of adjusting the lumens output and color temperature on-site.



SELECTABLE LUMENS

SELECTABLE CCT

Power adjustment range:
100%-80%-60%-40%

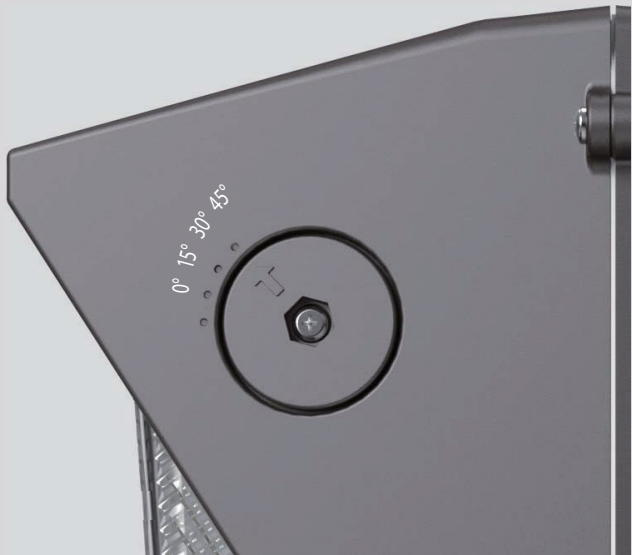
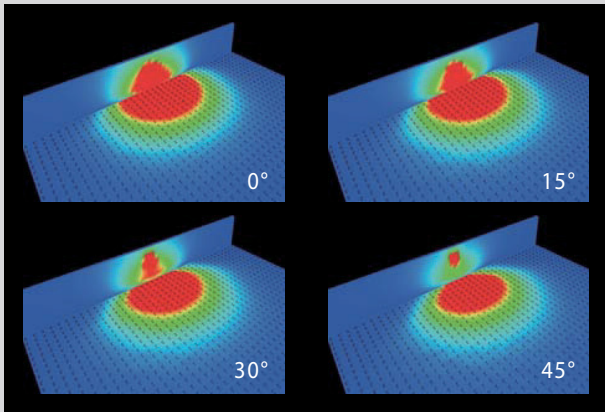
CCT selectable:
3000K, 4000K, 5000K



Plug and Play PIR Sensor (Optional)

Control the light throw with a spin of a dial

All WPL models include a powerful feature that can adjust the tilt of the light engine, enabling field adjustment of the degree of light thrown forward. Choose 0°, 15°, 30° or 45° to control where the light gets thrown.



Photocell Cap





Project Name	
Catalog #	
Job Type	
Prepared By	
Notes	

Fixture Ordering Information

Part #	Wattage	Lumens	Kelvin	Voltage
LL-WPM-[24][36][48][60]-3CCT-UNV-BZ-PC	24W/36W/48W/60W	4200/6000/7500/8900	3000K 4000K 5000K	120-277
LL-WPM-[40][60][80][100]-3CCT-UNV-BZ-PC	40W/60W/80W/100W	6600/9500/12000/14000	3000K 4000K 5000K	120-277

* Please contact LITELUME for all Custom Option Requests

Accessories Ordering Information

Part #	Description
ANT-6-4T	Sharkward 12-24V DC 0-10V Plug And Play PIR Sensor
ANT-6-4T-BLE-GE	Homewell GEBC 12-24V DC 0-10V Plug And Play Bluetooth PIR Sensor
RC-100	Remote Control 100
EM8	Emergency Battery Back Up 8W
WPM-G	Borosilicate Glass Lens For Wallpack Large

* Please contact LITELUME for all Custom Option Requests

Buy American Act Compliant Ordering Information

Part #	Description
BAA-WPM	Buy American Act Compliant for Wallpack Medium

* Please contact LITELUME for all Custom Option Requests