



# LED Bulkhead Mini



## LL-BHM

### LED Bulkhead Mini

The LITELUME™ Bulkhead Mini (LL-BHM) is designed to replace HID lighting systems up to 175w MH or HPS. Recommended mounting heights are 8 to 20 feet. It features field-selectable lumens and CCT with 4 different styles.



#### PERFORMANCE DATA

Lumen Output - Field Selectable	2,695 - 3,824 lm
Lumens Per Watt (typical)	152 lm/W
CCT - Field Selectable	3000K 4000K 5000K
Lifespan	157,000 hrs

#### RATINGS & CERTIFICATES

IK08 Rated • cULus for Wet Location  
Complies with FCC Part 15, class A • IP65

#### APPLICATIONS

Entryways • Tunnels • Walkways • Exterior Wall Lighting • Multi-use Facilities • Industrial Facilities • Parking Lots • Storage Facilities  
Education • Multi-Family • Retail • Office

#### FIXTURE INFORMATION

Size	Housing	Finish	Lens	Mounting	Color	Controls
19W - 26W	Die-Cast Aluminum	Premium Powder Coat	Frosted Polycarbonate	Surface	Bronze	Photocell
Voltage	Dimming	Electrical	Power Factor	THD	CRI	Warranty
120 - 277V	0-10V	1kV Surge Protection	.90	<20%	80	10 Year Limited

Operating Temperature (ambient): -40°C to 50°C (-40°F to 122°F)

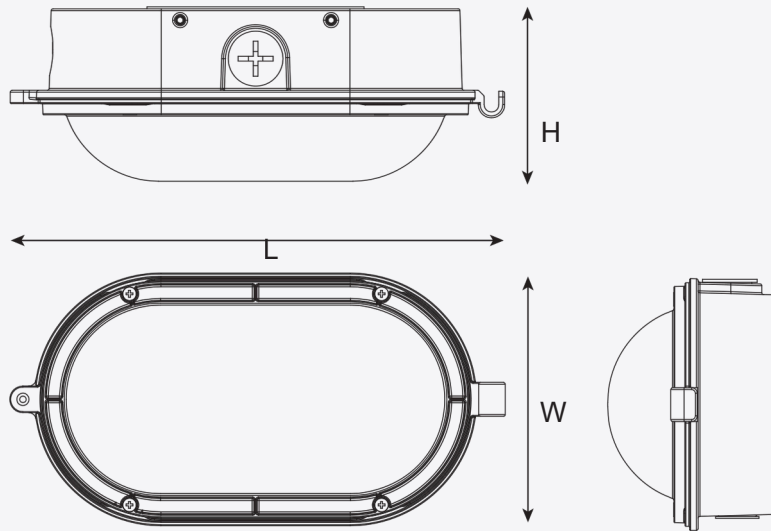


MODELS

LL-BHM	LL-BHM-GRIDFP	LL-BHM-GRIDHOZFP	LL-BHM-GRIDVERTFP
			

DIMENSIONS

Length (in)	Width (in)	Height (in)	Weight (lbs)
10.31	5.27	3.62	1.67





LUMEN TABLES

Series	Measurements	4L			3L			2L		
		3000K	4000K	5000K	3000K	4000K	5000K	3000K	4000K	5000K
LL-BHM	Lumens	3,521	3,824	3,808	3,152	3,385	3,412	2,695	2,875	2,919
	Watts	26.81	26.12	26.84	23.61	22.97	23.61	19.78	19.30	19.79
	Efficacy	131.33	146.40	141.88	133.50	147.37	144.52	136.25	148.96	147.50

ELECTRICAL DATA

Series	CCT	Input Amps (A)								
		4L			3L			2L		
		120V	240V	277V	120V	240V	277V	120V	240V	277V
LL-BHM	3000K	0.22	0.11	0.10	0.20	0.10	0.09	0.16	0.08	0.07
	4000K	0.22	0.11	0.09	0.19	0.10	0.08	0.16	0.08	0.07
	5000K	0.22	0.11	0.10	0.20	0.10	0.09	0.16	0.08	0.07



PROJECT NAME	
CATALOG #	
JOB TYPE	
PREPARED BY	
NOTES	

## ORDERING GUIDE

Brand	Fixture Type	Faceplate			
LL LITELUME	BHM Bulkhead Mini	<b>BLANK</b> Open Frame <b>GRIDFP</b> Grid Faceplate <b>GRIDHOZFP</b> Grid Horizontal Faceplate <b>GRIDVERTFP</b> Grid Vertical Faceplate			
Lumen Package	Voltage	CCT	Power	Finish	Accessories
4L 4000 Lumens	UNV 120-277V	SCT Selectable Color Temperature	SP Selectable Power	BZ Bronze	PC Photocell with on/off dipswitch

## FIXTURE ORDERING INFORMATION

Part #	Watts	Lumens	Kelvin	Voltage
LL-BHM-4L-UNV-SCT-SP-BZ-PC	19W/23W/26W	2900/3400/3800	3000K/4000K/5000K	120-277V
LL-BHM-GRIDFP-4L-UNV-SCT-SP-BZ-PC	19W/23W/26W	2900/3400/3800	3000K/4000K/5000K	120-277V
LL-BHM-GRIDHOZFP-4L-UNV-SCT-SP-BZ-PC	19W/23W/26W	2900/3400/3800	3000K/4000K/5000K	120-277V
LL-BHM-GRIDVERTFP-4L-UNV-SCT-SP-BZ-PC	19W/23W/26W	2900/3400/3800	3000K/4000K/5000K	120-277V