



Canopy High Lumen



LL-CHL

Canopy High Lumen

The LITELUME™ LED Canopy High Lumen (LL-CHL) is a low profile luminaire constructed with a IP65 rated corrosion resistant die cast housing, and a proprietary optical system with polycarbonate lens.



PERFORMANCE DATA

Lumen Output	19553 - 27385 lm
Lumens Per Watt (typical)	162 lm/W
CCT	5000K
Lifespan	173,000 hrs

RATINGS & CERTIFICATES

cULus Listed • UL Listed
Wet Location • FCC • IP65

APPLICATIONS

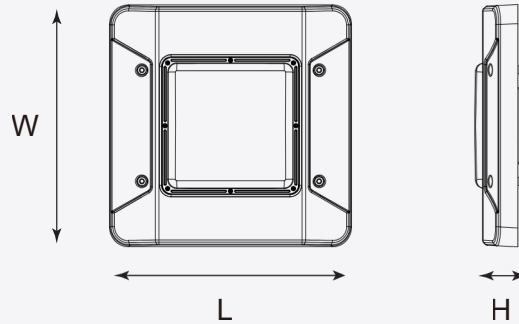
Gas Stations • Drive Throughs
General Canopy Applications

FIXTURE INFORMATION

Size	Housing	Finish	Lens	Mounting	Color	Warranty
120W - 177W	Die-Cast Aluminum	Premium Powder Coat	Polycarbonate	Surface	White	10 Year
Voltage	Dimming	Electrical	PF	THD	CRI	Operating Temperature
Standard: 120 - 277V	Standard: 0-10V	6kV Surge Protection	.90	<20%	80	-40°F to 113°F



DIMENSIONS



Model	Length (in)	Width (in)	Height (in)	Weight (lbs)
LL-CHL-27L-UNV-50-SP-WH	15	15	3.26	10.83

LUMEN TABLES

Series	Measurements	Low Lumen	Mid Lumen	High Lumen
		5000K	5000K	5000K
LL-CHL-27L-UNV-50-SP-WH	Lumens	19,553	22,366	27,385
	Watts	120.2	139.4	177.3
	Efficacy	162.67	160.44	154.46

ELECTRICAL DATA

Series	CCT	Input Amps (A)								
		Low Lumen			Mid Lumen			High Lumen		
		120V	240V	277V	120V	240V	277V	120V	240V	277V
LL-CHL-27L-UNV-50-SP-WH	5000K	1.0	0.5	0.43	1.16	0.58	0.50	1.48	0.74	0.64



PHOTOMETRICS

Luminaire Data		Polar Graph	Zonal Lumen Summary		
Description	LED Canopy High Lumen		Zone	Lumens	% Fixt
Total Lumens	27,385		0-20°	3425	12.50%
Input Wattage	177		0-30°	7319	26.70%
Efficacy (lm/W)	154		0-40°	12071	44.10%
Spacing Criterion (0-180°)	1.28		20-50°	13579	49.60%
Spacing Criterion (90-270°)	1.3		40-70°	12464	45.50%
			0-60°	21364	78.00%
Photometric calculated at highest lumen setting.			0-80°	26280	96.00%
			0-90°	26964	98.50%
			90-180°	421	1.50%
			0-180°	27385	100.00%



PROJECT NAME	
CATALOG #	
JOB TYPE	
PREPARED BY	
NOTES	

ORDERING GUIDE

Brand	Fixture Type	Lumen Package		
LL LITELUME	CHL Canopy High Lumen	27L 27000 Lumens		
Voltage	CCT	Power	Finish	
UNV 120-277V	50 5000K	SP Selectable Power	WH White	

FIXTURE ORDERING INFORMATION

Part #	Watts	Lumens	Kelvin	Voltage
LL-CHL-27L-UNV-50-SP-WH	120W / 139W / 177W	19553 / 22366 / 27385	5000K	120-277