

Garage Canopy Low Profile Installation Instructions

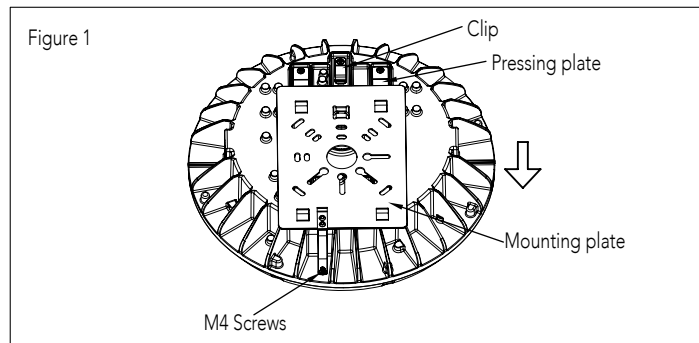


⚠ Warning

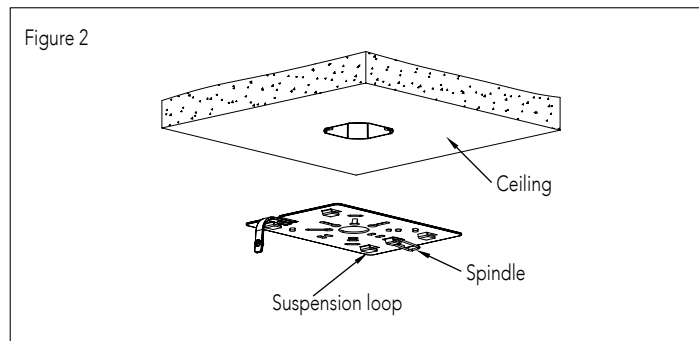
1. To avoid electric shock, disconnect power at source prior to installation.
2. The installation should be performed by qualified electricians or lighting technicians.
3. Before conducting any installation, maintenance, or removal, disable all power to the luminaires and wait until the fixture cool down.
4. Do not touch the fixture while it is in service.
5. If there is any problem with the fixture, DO turn off power and DO NOT attempt repair unless you are a qualified technician or the customer service member.

Surface Mount Installation

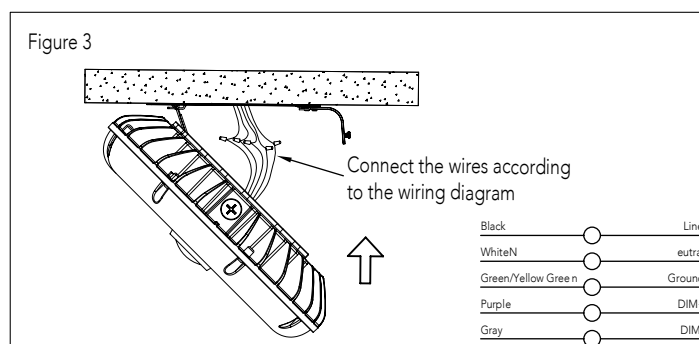
1. Loosen and remove the side M4 screws which used to fix the mounting plate.



2. Fix the mounting plate to the ceiling with the screws.



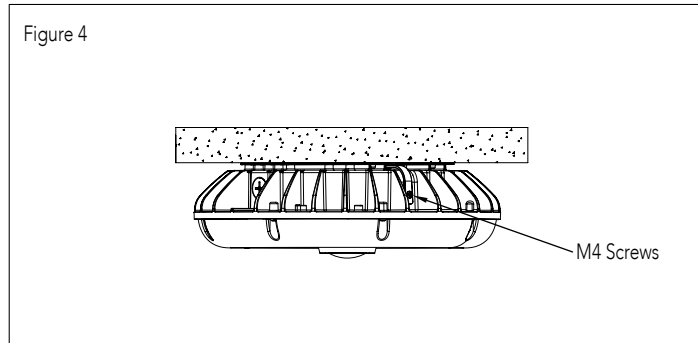
3. Connect the clip on the fixture to the spindle of the mounting plate to make sure the fixture will not slip and fall. Connect the line voltage to the wires coming out from the fixture following the wiring diagram. Push the pressing plate into the suspension loop on the mounting plate.



Garage Canopy Low Profile Installation Instructions



4. Lock the M4 screws to complete the installation.



Pendant Installation (with 3/4" Conduit)

1. Connect the line voltage to the wires coming out from the fixture following the wiring diagram.
2. Screw the fixture to the 3/4 inch conduit to complete the installation.

