



# Low Profile Wet Location Exit and Emergency Combo



## LL-WLCEM

### Low Profile Wet Location Exit and Emergency Combo

Low-Profile wet location Exit and Emergency combo unit, 2.5" deep. Available in white, black and grey. Stocked in selectable Red/Green for convenience. Long lasting, efficient, ultra bright white LED lamp heads. 1.0W (1 LEDs x 1.0 watt) per head. Adjustable LED lamp heads provide up to 18-ft center-to center spacing with 3-ft path of egress at 7.5-ft mounting height.



#### PRODUCT INFORMATION

Illumination	Housing
<ul style="list-style-type: none"> <li>Long lasting, efficient, ultra bright white LED lamp heads.</li> <li>1.0W (1 LEDs x 1.0 watt) per head.</li> <li>Adjustable LED lamp heads provide up to 18-ft center-to-center spacing with 3-ft path of egress at 7.5-ft mounting height.</li> <li>Long-life, energy efficient Red or Green LED EXIT sign illumination.</li> </ul>	<ul style="list-style-type: none"> <li>5VA flame retardant, UV stabilized polycarbonate in white, black or gray finish.</li> <li>High-impact resistant, UV stabilized polycarbonate clear lens.</li> <li>Corrosion resistant enclosure with engineering grade silicone gasket.</li> <li>Knockouts provided for conduit feed applications.</li> <li>EZ snap-out Chevron directional indicators.</li> </ul>
Electrical	Mounting
<ul style="list-style-type: none"> <li>Dual 120/277 voltage.</li> <li>Unique LED indicator light alerts occupant on battery condition (Red-normal, Off-check battery).</li> <li>3.6V long life, maintenance free, rechargeable NiCd battery.</li> <li>Internal solid-state transfer switch automatically connects the internal battery to LED board and lampheads for minimum 90-minute emergency illumination.</li> <li>Fully automatic solid state, two rate charger initiates battery charging to recharge a discharged battery in 24 hours.</li> <li>Charge rate/power "ON" LED indicator light and push-to-test switch for mandated code compliance testing</li> </ul>	<ul style="list-style-type: none"> <li>Polycarbonate mounting canopy included for top or end mount.</li> <li>Universal K/O pattern on back plate for wall mount.</li> </ul>
<b>Options</b>	
<ul style="list-style-type: none"> <li>CW: Optional high capacity battery for extreme cold temperature applications (-20°C – 50°C).</li> <li>RC: Remote capacity of up to 2.0 watts.</li> <li>TP: Tamper-proof hardware helps prevent unauthorized access to the unit.</li> </ul>	

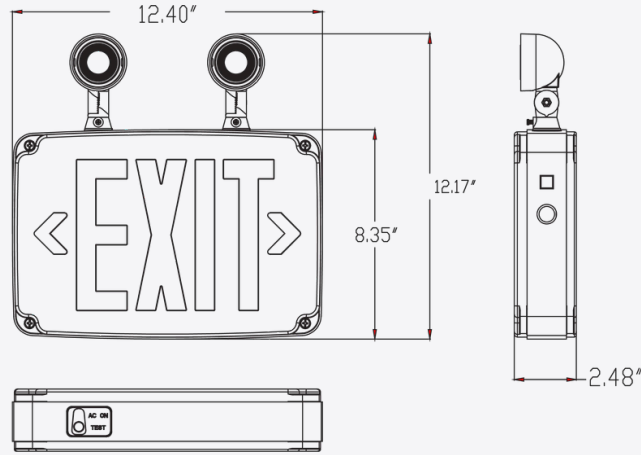
#### Warranty/Listing

- Five year warranty on all electronics and housing. Battery prorated for five years.
- Meets UL924, NFPA 101 Life Safety Code, NEC, OSHA, Local and State Codes.
- UL listed for wet locations (0°C – 50°C).
- Certified to CEC under Title 20 Regulations.



# Low Profile Wet Location Exit and Emergency Combo

## DIMENSIONS



## ELECTRICAL INFORMATION

Model	Input Watts (W)		Input Amps (A)	
	LL-WLCEM	120V	277V	120V
1.1		1.1	0.12	0.12

## REMOTE LAMP COMPATIBILITY

Model	Battery	Remote Capacity	Compatible Remote Head Family	
			LL-RHLED	LL-MRHLED
LL-WLCEM-RC	3.6V	2.0W	X	X



# Low Profile Wet Location Exit and Emergency Combo

PROJECT NAME	
CATALOG #	
JOB TYPE	
PREPARED BY	
NOTES	

## ORDERING GUIDE

Brand	Model	No. of Faces
LL LITELUME	<b>WLCEM</b> Low Profile Wet Location Exit and Emergency Combo	1 Single Face 2 Double Face <b>(Blank)</b> Universal Single/Double Face
Letter Color	Housing Color	Options
<b>RG</b> Red/Green (Field-Selectable)	<b>WH</b> White <b>BK</b> Black <b>GY</b> Gray (with white faceplate)	<b>CW</b> Cold Weather * <b>RC</b> Remote Capacity * <b>TP</b> Tamper Proof Screws  <i>* Not Available Together</i>