



# Vandal Resistant Square Medium Low Profile



## Description

The Litelume Vandal Resistant Square Medium Low Profile (LL-VRSMPLP) Surface Mount luminaire is available with an optical distribution designed specifically to replace HID lighting systems up to 100w MH or HPS. Typical lighting applications include retail centers, industrial parks, schools and universities, public transit and airports, office buildings and medical facilities. Mounting heights of 8 to 14 feet can be used based on light level and uniformity requirements.

## Fixture Information

Size:	23W
Housing:	Die-cast Aluminum Housing
Finish:	Textured Architectural Bronze Powdercoat Finish Over a Chromate Conversion Coating
Lens:	SoftLED Low Profile LumaLens Opal UV-Stabilized Polycarbonate Vandal-Resistant Lens
CRI:	80
Temperature:	-40°C to +40°C
Voltage:	Standard: 120-277V Optional: 347-480V
Power Factor:	>.90
Surge Protector:	2 kVA
Sensor:	Standard: No sensor Optional: Photocell, 120-277V
Dimming:	Standard: 0-10V
Warranty:	10-Year Limited Warranty

## Performance Data

### Lumen Output:

2,774 to 2,890 lm

### Lumens Per Watt (typical):

103 to 107 lm/W

### CCT:

4000K  
5000K

### Distribution

Type V

### Lifespan:

169,000 hrs @ 25°C

## Ratings & Certificates

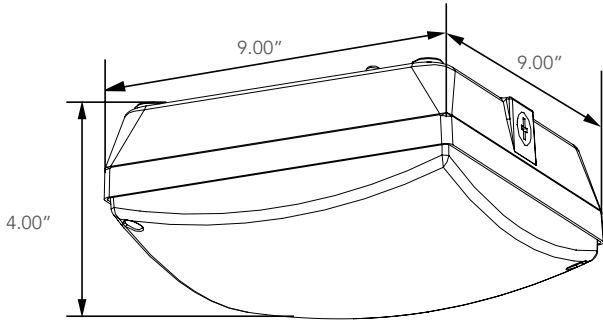
CSA: Listed for Wet Locations, ANSI/UL 1598, 8750; IP66 Sealed LED Compartment. ADA Compliant. 10 year Warranty. BAA Compliant



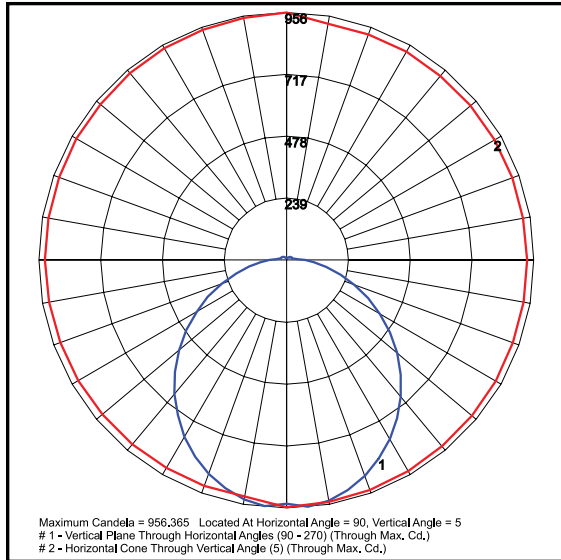


### Dimension

Item	Height	Length	Width
23W	4.00"	9.00"	9.00"



### Photometric



LL-VRSMLP-23-50-UNV-BZ



<b>Project Name</b>	
<b>Catalog #</b>	
<b>Job Type</b>	
<b>Prepared By</b>	
<b>Notes</b>	

### Fixture Ordering Information

Part #	Wattage	Lumens	Kelvin	Voltage	Type Distribution
LL-VRMLP-23-40-UNV-BZ	23	2774	4000	120-277	Type V
LL-VRMLP-23-50-UNV-BZ	23	2890	5000	120-277	Type V

### Accessories Ordering Information

Part #	Description
SF	Single Fuse <b>*120-277V Only*</b>
DF	Double Fuse <b>*120-277V Only*</b>
SP	Surge Protection
PC3	Photocell, 120-277VAC
BU	Battery Backup, 90 Minutes <b>*120-277V Only*</b>
SUB "UNV" WITH "480"	480 Volt

\* Please contact LITELUME for all Custom Option Requests