



Post Top Area Light Small



*Not all product variations listed on this page are DLC qualified. Visit www.designlights.org/search to confirm qualification



Description

The LITELUME™ Post Top Area Light Small Luminaire (LL-PTALS) combines style with performance. Featuring a die-cast aluminum housing with outstanding corrosion protection, and secondary UV resistant polycarbonate optics. The PTALS provides an aesthetically pleasing addition to any walkway, park, downtown corridor or parking lot with its steady well-defined construction. The highly functioning optics provide maximum distribution to make the PTALS a premier choice for outdoor area lighting.

Fixture Information

Size:	20W/35W
Housing:	Die-cast aluminum housing
Finish:	Protective powdercoat
Color:	Standard: Bronze Custom Options: Black (BK), White (WH) and Gray (GY)
Mounting:	Tenon fits 2 3/8" standard OD
Power Factor:	>.95
CRI:	80
Driver:	Meanwell HLG
Lens:	Polycarbonate
Surge Protector:	Standard: 4kVA Optional: 10kVA, 20kVA
Voltage:	Standard: 120-277V Custom Option: 347-480V
Sensor:	Standard: No sensor
Warranty:	10-Year Limited Warranty

Performance Data

Lumen Output:

2543 to 4830 lm

Lumens Per Watt (typical):

127 to 138 lm/W

CCT:

3000K
4000K
5000K

Distribution:

Type V

Lifespan:

Up to 100,000 running hours.

Ratings & Certificates

ETL Listed for Wet Location
DLC Premium Listed

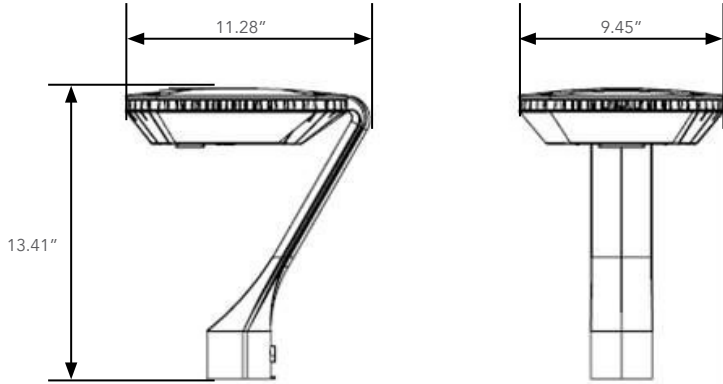


Intertek



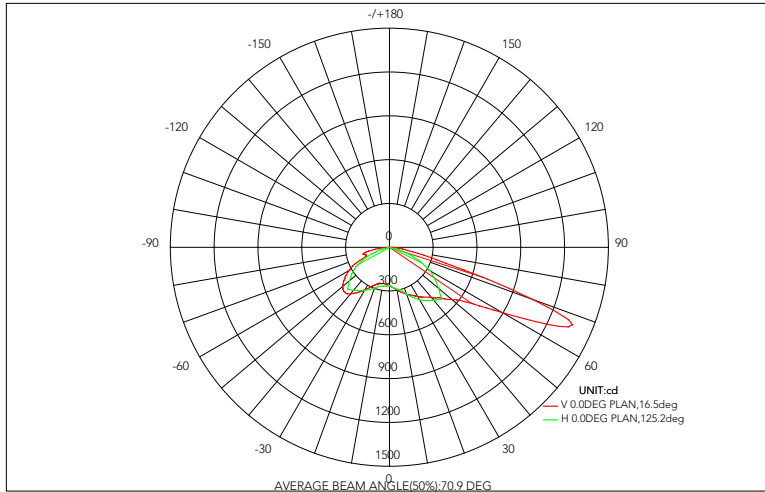
Dimensions

Item	Width	Length	Height
Post Top Area Light Small	9.45"	11.28"	13.41"

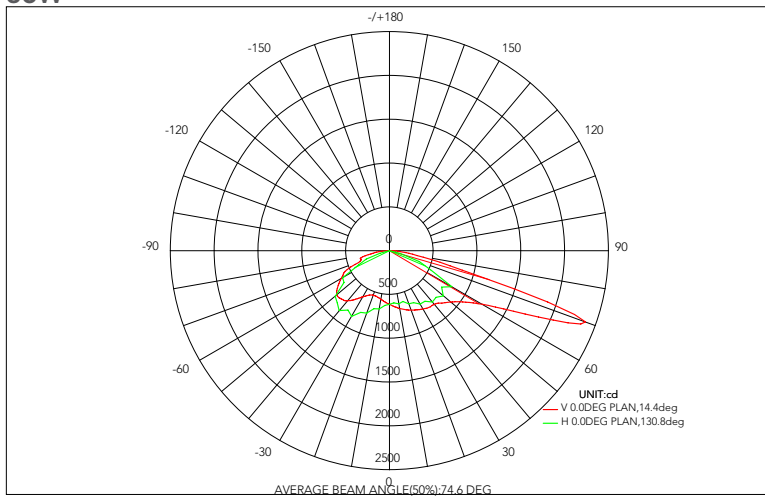


Photometric Data

21W



36W





Project Name	
Catalog #	
Job Type	
Prepared By	
Notes	

Fixture Ordering Information

Part #	Wattage	Lumens	Kelvin	Voltage	Type Distribution	Custom Option Available*
LL-PTALS-20-50-UNV-T3-BZ	20	2760	5000	120-277	T3	Yes
LL-PTALS-20-40-UNV-T3-BZ	20	2677	4000	120-277	T3	Yes
LL-PTALS-20-30-UNV-T3-BZ	20	2543	3000	120-277	T3	Yes
LL-PTALS-20-50-UNV-T5-BZ	20	2760	5000	120-277	T5	Yes
LL-PTALS-20-40-UNV-T5-BZ	20	2677	4000	120-277	T5	Yes
LL-PTALS-20-30-UNV-T5-BZ	20	2543	3000	120-277	T5	Yes
LL-PTALS-35-50-UNV-T3-BZ	35	4830	5000	120-277	T3	Yes
LL-PTALS-35-40-UNV-T3-BZ	35	4685	4000	120-277	T3	Yes
LL-PTALS-35-30-UNV-T3-BZ	35	4450	3000	120-277	T3	Yes
LL-PTALS-35-50-UNV-T5-BZ	35	4830	5000	120-277	T5	Yes
LL-PTALS-35-40-UNV-T5-BZ	35	4685	4000	120-277	T5	Yes
LL-PTALS-35-30-UNV-T5-BZ	35	4450	3000	120-277	T5	Yes

* Please contact LITELUME for all Custom Option Requests

Accessories Ordering Information

Part #	Wattage
SP10	10kVA Surge Protector
SP20	20kVA Surge Protector
SUB "UNV" WITH "480"	480 VOLT

* Please contact LITELUME for all Custom Option Requests