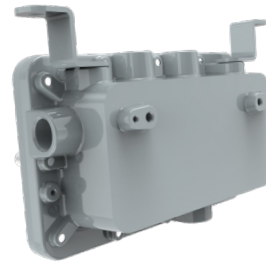




LED Emergency Battery Backup Box



Certification:

- Class I, Division 1, Groups C, D
- Class I, Division 2, Groups A, B, C, D
- Class II, Division 1, Groups E, F, G
- Class II, Division 2, Groups F, G
- Class III
- UL 844 Hazardous Locations
- UL 924 Emergency Lighting
- UL 1598A Marine Outside Type
- UL 1598 Wet Locations
- UL 8750 LED Safety
- ETL
- NEMA 4X
- IP66 / Wet Locations
- Impact level: IK10 (enclosure)

Features:

- 3-hour emergency operation
- Hinged access door.
- Provided with 3/4" NPT or M25 conduit hubs.
- Working temperature: -40°C to +65°C (-40°F to +149°F).
- Long lifespan up to 50,000 hours.
- 10-year limited warranty.

Standard Materials:

- Housing: A360 die-casting aluminum
- Hardware: Stainless steel

Specification:

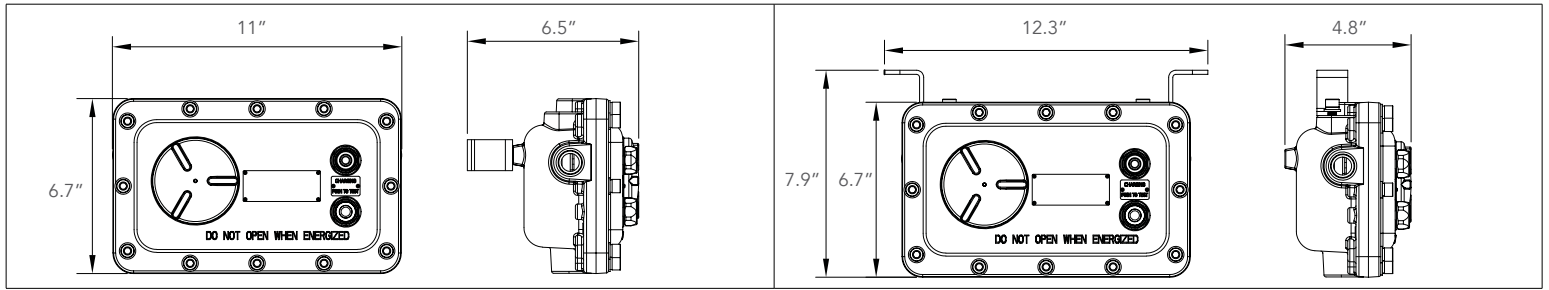
Model Number	Input Voltage	Emergency Time	Currency
LL-EBEP	Max. AC800V	3 hours	Cable Cross Section: 2.5mm ² 24A Cable Cross Section: 4.0mm ² 32A Cable Cross Section: 6.0mm ² 41A Cable Cross Section: 10mm ² 57A Cable Cross Section: 16mm ² 76A Cable Cross Section: 35mm ² 125A Cable Cross Section: 70mm ² 192A Cable Cross Section: 240mm ² 400A

Packing Information:

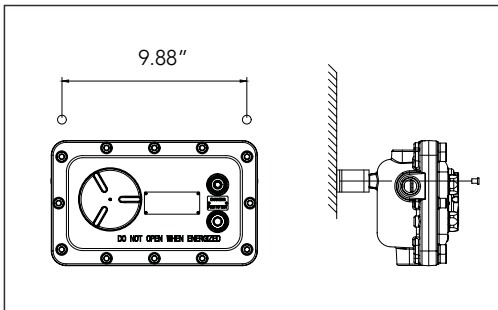
Model	Quantity/Carton	Packing Size	Net Weight	Gross Weight
LL-EBEP	1 Pc	430x424x276mm/ 16.93x16.69x10.87inch	8.0kg/17.64lb	9.5kg/20.94lb



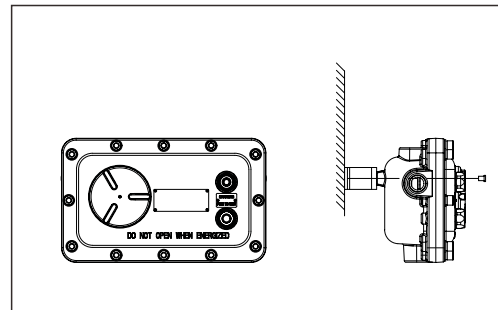
Dimension



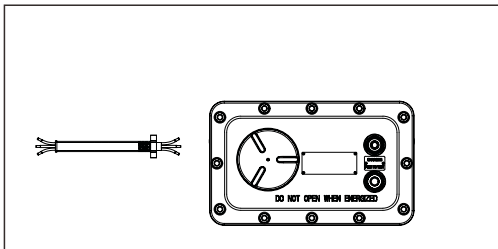
Installation: Wall Mounting



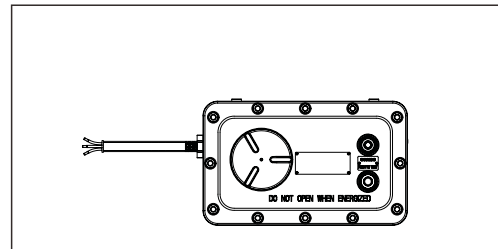
1. Drill two holes on the wall as fig. 1, the distance as per 9.88".



2. Select any one of the three 3/4 "NPT plugs as the interface for the cable input line.

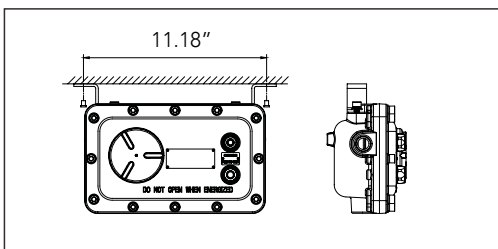


3. Remove the junction box cover (spiral cover) and insert the power cable into the junction box. Then connect the AC cable: black cable joins to L, white cable joins to N, green cable joins to grounding. Further, fill 16mm of chemical filler into the conduit and fix the conduit to the lamp body (it must be confirmed whether there are suitable gaskets before installation).

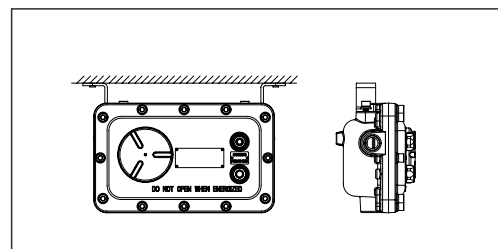


4. After installation, connect the electrical appliances that require emergency input as needed.

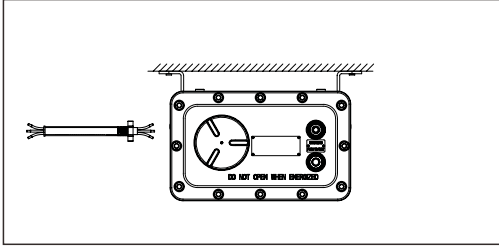
Ceiling Mounting



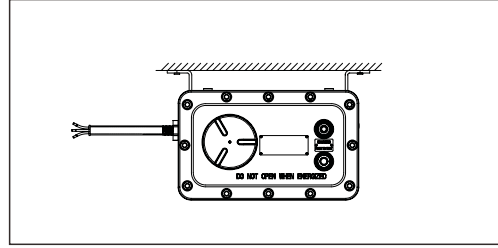
1. Drill two holes on the ceiling as fig. 1, the distance as per 9.88".



2. Select any one of the three 3/4 "NPT plugs as the interface for the cable input line.



3. Remove the junction box cover (spiral cover) and insert the power cable into the junction box. Then connect the AC cable: black cable joins to L, white cable joins to N, green cable joins to grounding. Further, fill 16mm of chemical filler into the conduit and fix the conduit to the lamp body (it must be confirmed whether there are suitable gaskets before installation).



4. After installation, connect the electrical appliances that require emergency input as needed.

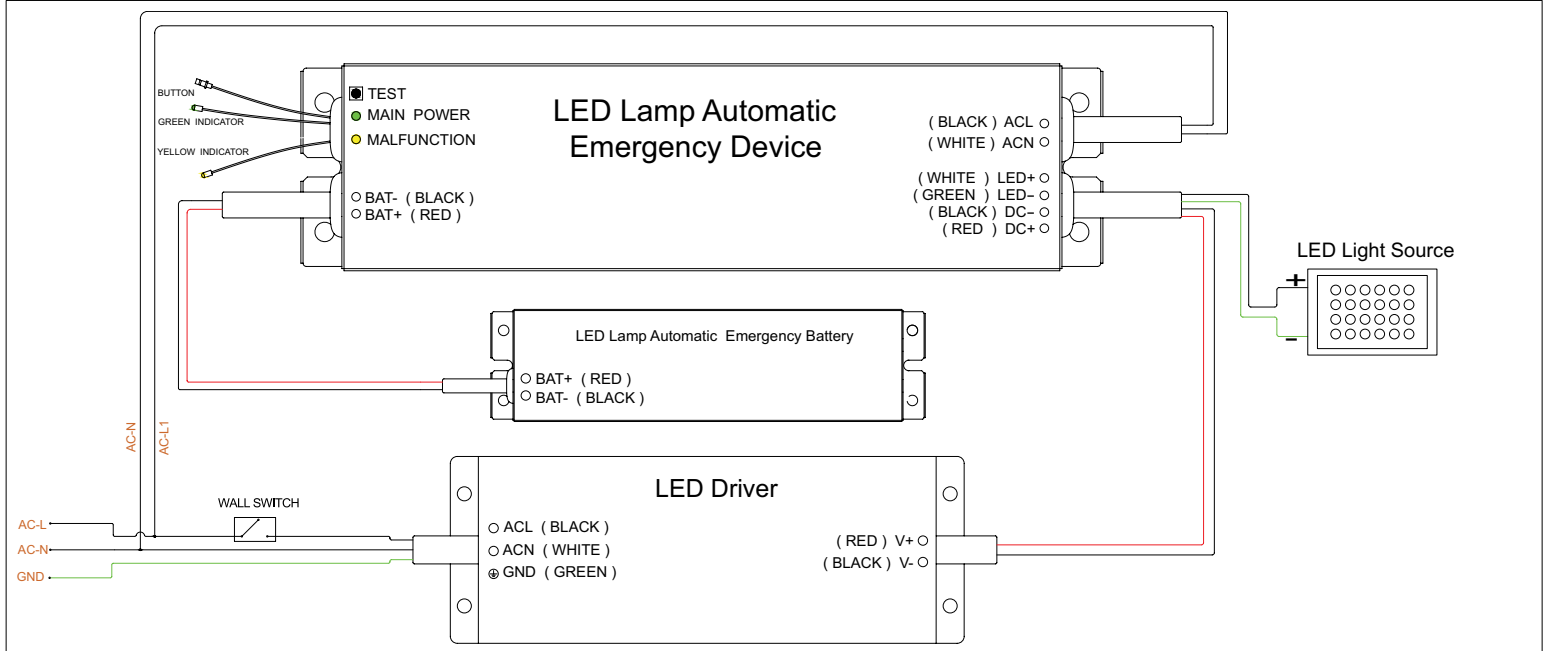
Accessories

EM15X Emergency Driver Exclusive		
	Specifications	
	Driver Model:	EM15X
	Rated Input Voltage:	AC120-277V, 50/60 Hz
	Input Current:	100mA max
	Input Power:	7W max
	Output Voltage:	DC25-55V
	Emergency Power:	15W max (constant Current)
	Response Time:	<550mS
	Charge Time:	≤ 24 hours
	Battery Capacity:	INR18650, 14.8V, 2000mAh
	Emergency Time:	90 minutes
Ambient Temperature:	0°C to 60°C	
Battery Life Expectancy:	5 years	
Features	Self-testing (Optional)	
<ul style="list-style-type: none"> The emergency function will be activated when undervoltage of mains electricity occurs. Monthly/ annual self-testing (optional) Malfunction indicate function Protections: <ul style="list-style-type: none"> Output open circuit and short circuit protection Battery over charge and over discharge double protection Built-in constant current limiting circuit For LED luminaire <250W and <5A LED driver current Suitable for LED Emergency lighting CE, RoHS certificated Type "HL" for use in hazardous (Classified) location 	<ul style="list-style-type: none"> With self-testing: The integrated Self-test software program will automatically enter the emergency mode 30 seconds to check the device emergency function once a month (monthly self-test); and will automatically enter the emergency mode 90 minutes to check the device battery discharge duration time once a year (annually self-test). Without self-testing: Without self-testing version, it requires human operation. Press the test switch 5 times to enter monthly self-test after battery fully charged. Press the test switch 7 times to enter annually self-test after battery fully charged. 	



Indicator		LED Features	YELLOW LED (State LED)	Green LED (Indicate LED)
Operate Mode				
Charge Mode:	Charging			Flash 0.2HZ (5S/time)
	Fully Charged			ON
Discharge Mode:	Discharge			Flash 1HZ (1S/time)
	Discharge Cutoff			OFF
Battery disconnect			Flash 2HZ (0.5S/time)	
LED Lamp disconnect			Flash 2HZ (0.5S/time)	
Battery under voltage			Flash 1HZ (1S/time)	
Battery over voltage			Flash 1HZ (1S/time)	
Function test beginning (once a month)				Flash 2HZ (0.5S/time), flash 5 times
Under function test				Flash 1HZ (1S/time)
Function test failed			Flash 0.5HZ (2S/time)	
Discharge duration test beginning (once a year)				Flash 2HZ (0.5S/time), flash 7 times
Under discharge duration test				Flash 1HZ (1S/time)
Discharge duration test failed			Flash 0.5HZ (2S/time)	

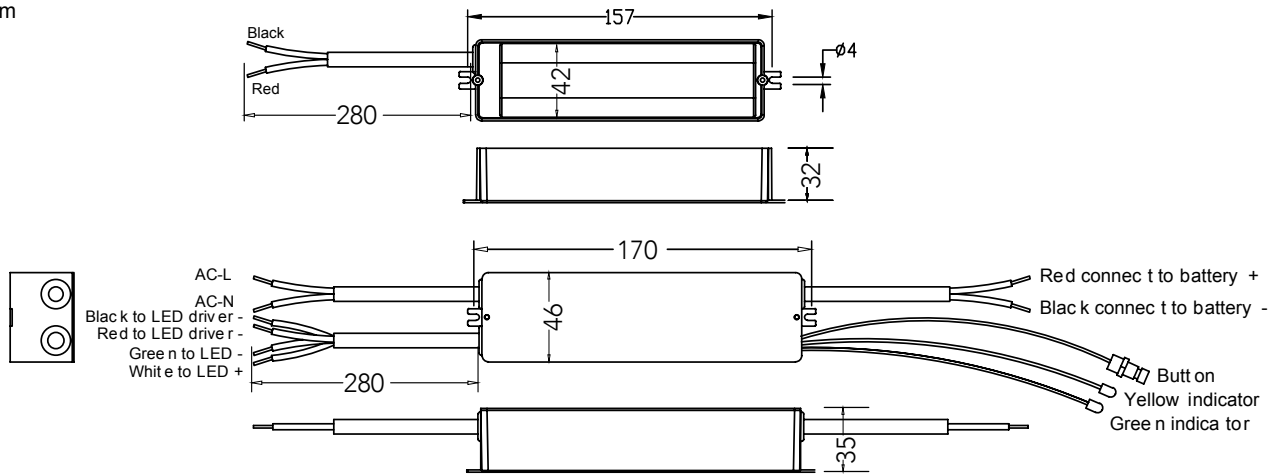
Wiring Diagram





Dimensions

Unit: mm



⚠ Important Safeguards

PLEASE READ AND FOLLOW ALL SAFETY INSTRUCTIONS.

1. CAUTION- This EM15X provides more than one output source of power. To reduce the risk of electric shock, disconnect both the normal and emergency power sources by turning off the AC branch and disconnecting the battery on/off switch.
2. CAUTION - Maintenance on this equipment should be performed only by qualified electricians.
3. CAUTION - Do not attempt to service the battery. A sealed, maintenance-free battery is used and cannot be replaced in the field. Replace the entire unit if necessary.
4. CAUTION - Use of accessories not recommended by the manufacturer may result in an unsafe condition, void the warranty, and result in failure to meet UL specifications.
5. CAUTION - Connect the EM15X(B) battery pack to the instrument before applying AC power.
6. CAUTION - The EM15X requires a non-switched AC power source of 120-277VAC, 50/60Hz. Verify the appropriate electrical ratings on the fixture LED before servicing. Both of the electrical rating will supply power under an output voltage of DC25~55V in emergency mode for at least 90 mins. (See individual units for output specifications.) Both electrical ratings provide power for at least 90 minutes at an output voltage of DC25~55V during emergency operation (see output specifications for each unit).
7. CAUTION - The battery should be charged for 24 hours every 6 months during storage.
8. CAUTION - Press the test button three times to disable emergency operation before shipping.
9. CAUTION - Before installation, make certain the A.C. power is off.
10. CAUTION - The battery in this unit may not be fully charged. A short-term discharge test may be conducted after the emergency driver has been charging for 1 hour. Charge for 24 hours before conducting a long-term discharge test.



Project Name	
Catalog #	
Job Type	
Prepared By	
Notes	

Fixture Ordering Information

Part #	Description
LL-EBEP-GY	LED Emergency Battery Back Up Box Explosion Proof, Grey

* Please contact LITELUME for all Custom Option Requests

Accessories Ordering Information

Part #	Description
EM15X	Emergency Battery Back Up 15W Exclusive **120-277V ONLY**

* Please contact LITELUME for all Custom Option Requests