



LL-HLRHLED16



Description

LED Hazardous Location Remote Head

Illumination:

- Two fully adjustable, ultra bright 3.3 watt high performance MR-16 base LED lamp heads for optimized center-to-center spacing.

Electrical:

- Powered from low voltage 6V/12V DC power source with low voltage wiring (not provided).

Mounting:

- Die-cast mounting brackets provided for surface wall-mount installation.
- Distance of maximum run is determined by system voltage, wire gauge and total maximum wattage on the run

Housing:

- Housing is fiberglass reinforced construction in gray finish.
- Corrosion-resistant enclosure with one piece, high-impact resistant, UV stabilized polycarbonate lens and molded gasket with stainless steel screws.

Options:

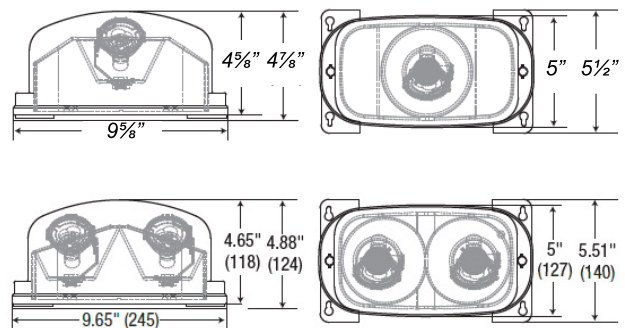
- TP: Tamper-proof hardware helps discourage unauthorized access to the unit.

Warranty/Listing:

- Seven year warranty.
- UL listed with approved Litelume products
- IP66 rated for Ingress protection.
- Meets UL924, NFPA 101 Life Safety Code, NEC, OSHA, Local and State Codes.
- Rated for Class 1, Division 2, Groups A, B, C, and D.



Dimensions:



Fixture Compatibility Chart:

Reference individual unit equipment specification sheets for remote load capacity availability.

LL-CADXR	LL-CALEDXTE	LL-CAR
LL-CWLEDZXTE-RC	LL-DXR	LL-LEDSDXR
LL-LEDTFX-2	LL-NYDXR	LL-RMR-16-65/125



Project Name	
Catalog #	
Job Type	
Prepared By	
Notes	

Fixture Ordering Information

Model	Heads		Housing Color		Options	
LL-HLRHLED16	1 2	Single Twin	G	Grey	TP	Tamper-Proof