



# High Bay Linear High Lumen



\*Not all product variations listed on this page are DLC qualified. Visit [www.designlights.org/search](http://www.designlights.org/search) to confirm qualification

## Description

Description The LITELUME™ High Bay Linear High Lumen Series (LL-HBLHL) featuring state of the art lighting technology. A robust design utilizing high heat-conducting aviation aluminium and separate heat sink for driver and LED's isolating the drivers from the light source to reduce light loss and increase power factor for optimal performance. Boasting 200 lumens per watt, with 3 different sized luminaires, 5 standard wattages and custom availability, the HBLHL is a great solution for High Lumen applications, supermarkets, gymnasiums, factories, stadiums, exhibition halls and general warehouse lighting.

## Fixture Information

Size:	100W/150W/200W/250W/500W
Housing:	Aviation Grade Aluminum
Finish:	Protective powdercoat
Color:	Standard: White with Blue End Plates Custom Options available
Mounting:	Standard: Suspended Mount with V Hooks and Chain Optional: Pendant Mount Ceiling Mount
Lens:	Rubberised Clear with Three-dimensional diamond light guide technology
Safety & EMC:	Compliance to EN61000-4-2,3,4,5,6,8,11, EN61457, light industry level ( Surge Immunity Line-Earth 4KV, Line-Line 2KV ) EAC TP TC 020
Temperature:	-20° to 55°C
Voltage:	Standard: 120-277V Custom Option: 480V
Dimming:	Optional
Power Factor:	>.95
CRI:	80
Accessories:	Remote Control Emergency Back-up
Sensor:	Standard: No sensor Optional: Motion Sensor, Daylight Sensor and controls
Warranty:	10-Year Limited Warranty

## Performance Data

### Lumen Output:

20,000 to 100,000 lm

### Lumens Per Watt (typical):

200 lm/W

### CCT:

4000K

5000K

### Beam Angle:

60°

90°

120°

### Lifespan:

Up to 100,000 running hours

### Ratings & Certificates

UL Listed

IP5X Dust Protected

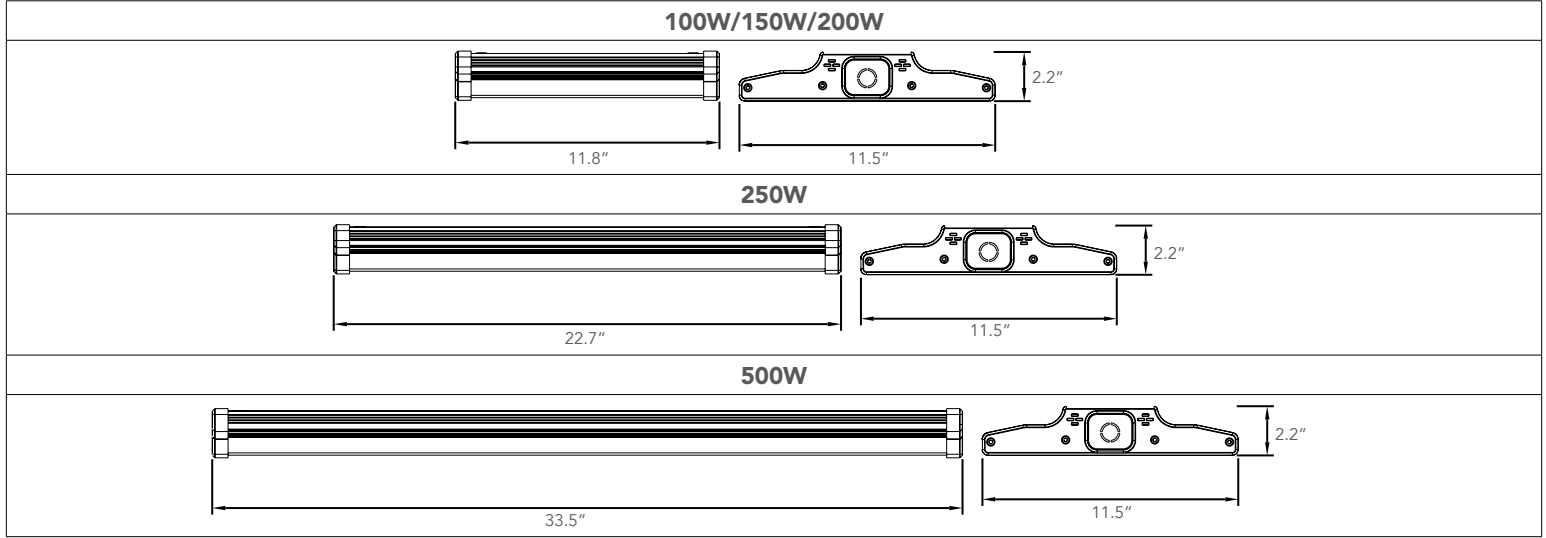
DLC Listed



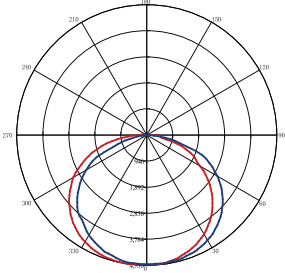


### Dimension

Item	Height	Width	Length
100W/150W/200W	2.2"	11.5"	11.8"
250W	2.2"	11.5"	22.7"
500W	2.2"	11.5"	33.5"






### Photometrics:



C0 Plane beam angle(50%)     C90 Plane beam angle(50%)  
 C0 Plane beam angle(50%):123.8    C90 Plane beam angle(50%):126.2



### Mounting Options:

Suspended Mount	Pendant Mount
	
	



<b>Project Name</b>	
<b>Catalog #</b>	
<b>Job Type</b>	
<b>Prepared By</b>	
<b>Notes</b>	

## Fixture Ordering Information

Part #	Wattage	Lumens	Kelvin	Voltage
LL-HBLHL-100-50-UNV-WHBL	100	20000	5000	120-277
LL-HBLHL-100-40-UNV-WHBL	100	20000	4000	120-277
LL-HBLHL-150-50-UNV-WHBL	150	30000	5000	120-277
LL-HBLHL-150-40-UNV-WHBL	150	30000	4000	120-277
LL-HBLHL-200-50-UNV-WHBL	200	40000	5000	120-277
LL-HBLHL-200-40-UNV-WHBL	200	40000	4000	120-277
LL-HBLHL-250-50-UNV-WHBL	250	50000	5000	120-277
LL-HBLHL-250-40-UNV-WHBL	250	50000	4000	120-277
LL-HBLHL-500-50-UNV-WHBL	500	100000	5000	120-277
LL-HBLHL-500-40-UNV-WHBL	500	100000	4000	120-277

## Mounting Ordering Information

Part #	Description
HBLHLPM	Pendant Mount
HBLHLCM	Ceiling Mount

\* Please contact LITELUME for all Custom Option Requests

## Beam Angle Ordering Information

Part #	Description
HBLHL60	60° Beam
HBLHL90	90° Beam
HBLHL120	120° Beam

\* Please contact LITELUME for all Custom Option Requests

## Accessories Ordering Information

Part #	Description
ANT-5-4T	Sharkward 12-24V DC 0-10V Plug And Play Microwave Sensor
ANT-6-4T	Sharkward 12-24V DC 0-10V Plug And Play PIR Sensor
ANT-6-4T-BLE-SR	Sharkward Silvair 12-24V DC 0-10V Plug And Play Bluetooth PIR Sensor
ANT-6-4T-BLE-GE	Homewell Gebc 12-24V DC 0-10V Plug And Play Bluetooth PIR Sensor
RC-100	Remote Control 100
EM700	Emergency Battery Back Up, 700 lm, 90 Minutes
EM1400	Emergency Battery Back Up, 1400 lm, 90 Minutes
EM2000	Emergency Battery Back Up, 2000 lm, 90 Minutes
EM2400	Emergency Battery Back Up, 2400 lm, 90 Minutes
SUB "UNV" WITH "480"	480 Volt

\* Please contact LITELUME for all Custom Option Requests