



Dusk to Dawn Low Power



Description

The LITELUME™ Dusk to Dawn Low Power (LL-DDLP) is a multi-purpose luminaire delivering ultra efficient lighting. Featuring an easy maintenance door for tool-less entry, light weight design, and 3G vibration rated construction.

Applications: Roadways, Yards, Loading Docks, Multi-family, Community and general site illumination.

Fixture Information

Size:	27W/40W
Housing:	Die-cast Aluminum Housing
Finish:	Protective powdercoat
Color:	Standard: Grey Custom Options: Black (BK) White (WH) Bronze (BZ)
Mounting:	Standard: Wall Mount
Lens:	Polycarbonate
Voltage:	Standard: 120-277V
Sensor:	Sensor: Standard: No sensor Standard: Photocell (120-277V)
Power Factor:	.95
CRI:	80
Total Harmonic Distortion:	≤20%
Operating Temperature Range:	-40°C to + 45°C (-40°F to +113°F)
Warranty:	10-Year Limited Warranty

Performance Data

Lumen Output:

3,780 to 5,600 lm

Lumens Per Watt (typical):

139 to 141 lm/W

CCT:

4000K
5000K

Distribution

T5

Lifespan:

Up to 100,000 running hours

Ratings & Certificates

UL Listed For Wet Location
IP66 rated
TAA Compliant/BAA Optional



QuickShip Ordering Information

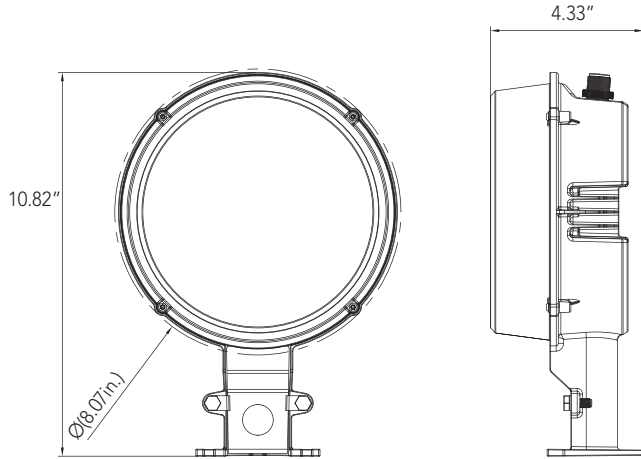
Part #

LL-DDLP-27-50-UNV-GY-PC

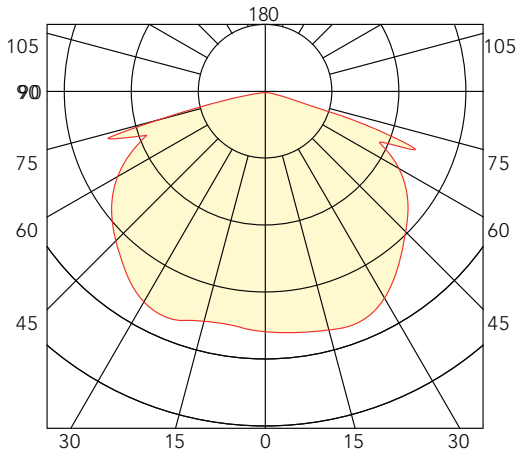


Dimension

Item	Width	Diameter	Height	Weight
20W	4.33"	8.07"	10.82"	2.20 lb
40W	4.33"	8.07"	10.82"	2.40 lb



Photometrics





Project Name	
Catalog #	
Job Type	
Prepared By	
Notes	

Fixture Ordering Information

Part #	Wattage	Lumens	Kelvin	Voltage	Distribution
LL-DDLP-27-50-UNV-GY-PC	27	3800	5000	120-277	T5
LL-DDLP-27-40-UNV-GY-PC	27	3780	4000	120-277	T5
LL-DDLP-40-50-UNV-GY-PC	40	5600	5000	120-277	T5
LL-DDLP-40-40-UNV-GY-PC	40	5550	4000	120-277	T5

* Please contact LITELUME for all Custom Option Requests

QuickShip Ordering Information

Part #
LL-DDLP-27-50-UNV-GY-PC

Buy American Act Compliant Ordering Information

Part #	Description
BAA-DDLP	Buy American Act Compliant for Dusk to Dawn Low Power

* Please contact LITELUME for all Custom Option Requests