



Description

Adjustable Recessed Emergency Down-light Unit

Illumination:

- Adjustable ultra bright 8W bi-pin halogen or 1.5W LED lamp head.
- Sealed beam PAR36-type gimbal trim with smooth chrome-plated metallized reflector and plastic lens offers optimal light distribution.

Electrical:

- Dual 120/277 voltage standard
- Charge rate/power "ON" LED indicator light and push-to-test switch for mandated code compliance testing
- LVD (low voltage disconnect) prevents battery from deep discharge
- 6V sealed lead acid, maintenance-free, rechargeable battery
- Internal solid-state transfer switch automatically connects the internal battery to LED lamp heads for minimum 90-minute emergency illumination.
- Fully automatic solid-state, two rate charger initiates battery charging to recharge a discharged battery in 24 hours.

Mounting:

- Compatible with drop ceiling mount installations. Bar hangers included.

Housing:

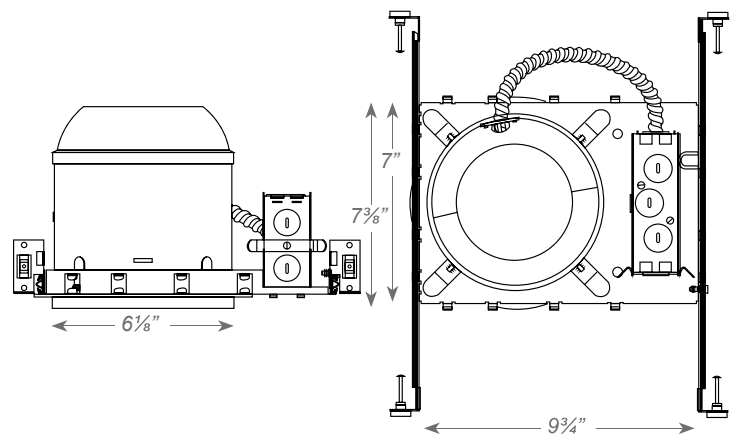
- Steel mounting frame and housing.
- 6" recessed housing with mounting bar hangers.
- Impact-resistant thermoplastic adjustable gimbal trim.
- Junction box with 3/4" knockouts for AC input.
- Trim securely attached to housing with spring clips.

Warranty/Listing:

- Seven year warranty on all electronics and housing. Battery prorated for two years.
- Meets UL924, NFPA 101 Life Safety Code, NEC, OSHA, Local and State Codes.
- UL Listed for dry locations



Dimensions:





Project Name	
Catalog #	
Job Type	
Prepared By	
Notes	

Fixture Ordering Information

Model	Housing Color			Lamp	
LL-EMRL-1	W B	White Black	Gimbal	Blank LED	8W Bi-pin Halogen Lamp 1.5W LED Lamp