



10-14VDC 0-10VDC Plug and Play Bluetooth PIR Sensor



Description

The Silvaire Bluetooth Fixture Sensor is designed for indoor applications such as office, school using passive infrared (PIR) technology.

Overview

- PIR sensor
- Bluetooth® SIG mesh
- High-End Trim, Zoning, Continuous Bi-level Dimming
- LED Motion indicator
- Mounting height up to 20ft
- 360° coverage pattern
- Low Voltage connector
- Technology Partner Silvaire

Features and Benefits

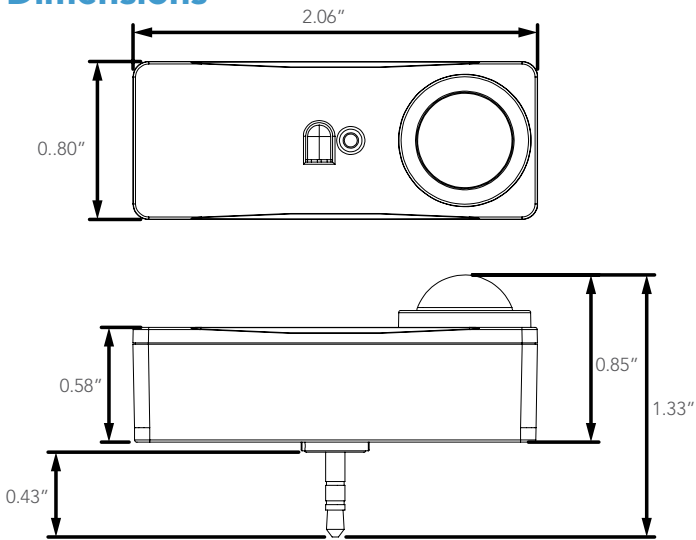
- Bluetooth to 0-10V signal converter, Bluetooth® mesh network.
- Built-in 20mA 0-10V signal output.
- Mesh network, which has a much longer control distance, transmits received signals to neighboring devices.
- All devices on 0-10V line are broadcast controlled by mobile application.
- In typical outdoor environment, the typical range for wireless communication is 100ft (30m).
- Actual range is dependent on field installation.
- Available with magnetic reset (Touch the side part of sensor for 5 seconds) and remote reset (press "RESET" and "ON/OFF" buttons in sequence).
- On-board antenna

Technical Data

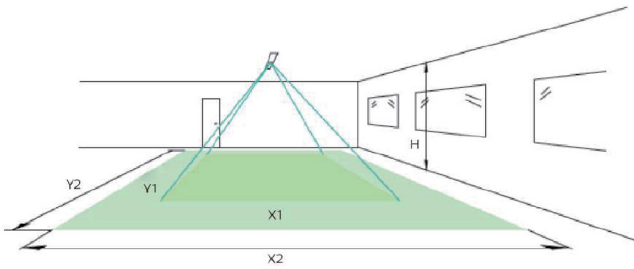
Motion Sensor	Passive infrared sensor
Input Power	10-14VDC, >50mA
Control Output	0-10V, max 25mA sinking current
Mounting Height	12ft Max
Detection Angle	360°
Operating Temperature	-20°C~60°C
IP Rating	20
Max Bluetooth Range	100ft (30M)
Warranty	5 years



Dimensions



Occupancy Detection Overlap



Height	Minor Movement		Major Movement	
	Y1	X1	Y2	X2
8'	10'	9'	15'	9'
10'	12'	11'	18'	12'

Note: Longer dimension of detection area (Y1,Y2) is parallel to longer dimension.



Project Name	
Catalog #	
Job Type	
Prepared By	
Notes	

Ordering Information

Part #	Description
ANT-1P-4T-BLE-SR	Sharkward Silvair 10-14V DC 0-10V Plug And Play Bluetooth PIR Sensor