



Description

Chicago Approved Steel Emergency Unit

Illumination:

- Two, 6V/12V 12.0 watt adjustable bi-pin halogen lamp heads provide optimal center-to-center spacing.
- Long lasting, efficient, wedge base incandescent or bi-pin halogen lamps.
- High performance chrome-plated metallized reflector and glass lens for optimal light distribution.

Electrical:

- Dual 120/277 voltage standard
- Charge rate/power "ON" LED indicator light and push-to-test switch for mandated code compliance testing
- LVD (low voltage disconnect) prevents battery from deep discharge
- 6V sealed lead acid, maintenance-free, rechargeable battery
- Internal solid-state transfer switch automatically connects the internal battery to LED lamp heads for minimum 120-minute emergency illumination.
- Fully automatic solid-state, two rate charger initiates battery charging to recharge a discharged battery in 24 hours.
- Remote capacity of 26W and 76W available on 50W and 100W models respectively.

Mounting:

- Knockouts on the back for wall mount.
- Side and top knockouts for conduit feed applications.

Housing:

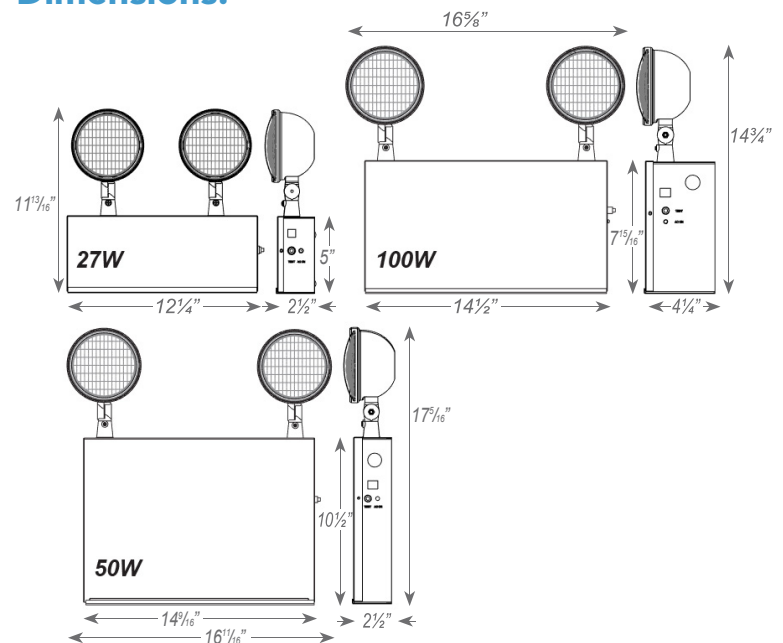
- Durable 20-gauge steel construction.
- Neutral white or black finish.

Warranty/Listing:

- Seven year warranty on all electronics and housing. Battery prorated for two years.
 - UL Listed for damp locations (20°C – 50°C standard).
 - Meets UL924, NFPA 101 Life Safety Code, NEC, OSHA, Local and State Codes.
- Meets city of Chicago requirements.



Dimensions:





Project Name	
Catalog #	
Job Type	
Prepared By	
Notes	

Fixture Ordering Information

Model	Voltage		Watts (for 90mins)		Housing Color	
LL-CADXR	Blank	6V ¹	27	27	Blank	White
	6	6V ²	5	50	B	Black
	12	12V ²	10	100		

¹Available in 27W only.

²Available only in 50W & 100W models