



**Description**

LED Outdoor Polycarbonate / Die-Cast Remote Head

**Illumination:**

- Long lasting, efficient, ultra bright white LED lamp heads.
- 1.0 watt (8 LEDs x 0.125 watt) per head.
- High performance chrome-plated metalized reflector and plastic lens for optimal light distribution.
- Adjustable LED lamp heads provide optimal center-to-center spacing.
- Optional high lumen heads are 1.5 watts (12 LEDs x 0.125 watt per head) and provide increased center-to-center spacing

**Electrical:**

- Powered from low voltage power source with low voltage wiring (not provided).

**Mounting:**

- Universal mounting adapter plate included. Mounts to single-gang switch box.
- Distance of maximum run is determined by system voltage, wire gauge and total maximum wattage on the run.
- Suitable for wall or ceiling mount.

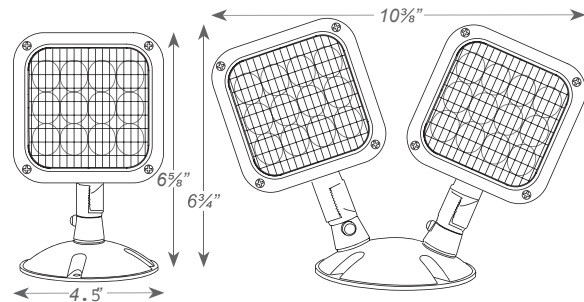
**Housing:**

- Available in both engineering grade, high-impact resistant polycarbonate or premium grade die-cast aluminum housing.
- Sealed and gasketed in standard gray or black finish.

**Warranty/Listing:**

- Seven year warranty.
- UL Listed or damp locations (0°C – 50°C).
- Meets UL924, NFPA 101 Life Safety Code, NEC, OSHA, Local and State Codes

**Dimensions:**



**Fixture Compatibility Chart:**

Reference individual unit equipment specification sheets for remote load capacity availability.

LL-CADXR	LL-CALEDCXTE	LL-CAR
LL-CEM-RC	LL-CEU-RC	LL-CKXTEU-RC
LL-CLPU	LL-CWLEZXTTE-RC	LL-DXR
LL-E-1-RC	LL-EM-RC	LL-LESDXR627
LL-LEDTFX-2	LL-NYDXR	LL-RMCLPU-RC
LL-RMLEDCXTE-RC	LL-RMR-16-65/125	





<b>Project Name</b>	
<b>Catalog #</b>	
<b>Job Type</b>	
<b>Prepared By</b>	
<b>Notes</b>	

### Fixture Ordering Information

Model	No. of Heads		Option		Housing		Voltage		Color		Lamp Type <sup>1</sup>	
LL-RHLED	1	Single Head	(blank)	For Standard Non	PWP	Thermoplastic	MV	For Use With	(blank)	Gray	(blank)	8 LEDs 1W
	2	Double Head	SDT	Self-Diagnostic Fixtures For Use with Fixtures with a Self-Diagnostic Option	WP	Die-Cast		3.6V, 6V, 9.6V & 12V DC Power Source	B	Black	HL	12 LEDs 1.5W

<sup>1</sup>Wattage rating stated per head.