



# Architectural Enclosed Post Top Small



## Description

The Architectural Enclosed Post Top Small ( LL-AEPTS ) is available in a Type V distribution with two lens options designed to replace HID lighting systems up to 250w MH or HPS. The fixture mounts to a pole top tenon. Typical area lighting applications include parking areas, walkways, and street lighting applications. Mounting heights of 12 to 20 feet can be used based on light level and uniformity requirements.

## Fixture Information

|                  |  |
|------------------|--|
| Size:            | 37W/65W/84W  |
| Housing:         | Die-cast Aluminum Housing  |
| Finish:          | Protective powdercoat  |
| Color:           | Standard: Bronze (BZ) Black (BK)<br>Custom Options Available   |
| Mounting:        | "P3" 2-7/8 O.D. x 3" Tenons  |
| Lens:            | <b>Standard:</b> Prismatic Clear UV-Stabilized Polycarbonate<br><b>Optional:</b> SoftLED LumaLens<br>Opal UV-Stabilized Polycarbonate<br>Vandal-Resistant Outer Conical Lens |
| CRI:             | 80   |
| Temperature:     | -40°C to +50°C   |
| Voltage:         | Standard: 120-277V<br>Custom Option: 347-480V  |
| Power Factor:    | >.90   |
| Surge Protector: | 6 kVA  |
| Sensor:          | Standard: No Sensor<br>Custom: Microwave Sensor<br>Twist Lock Photocell and Receptacle (120-277V) and Photocell (120-277V)   |
| Warranty:        | 10-Year Limited Warranty   |

## Performance Data

### Lumen Output:

2,856 to 6,921 lm

### Lumens Per Watt (typical):

63 to 81 lm/W

### CCT:

3000K

4000K

5000K

### Distribution

Type V

### Lifespan:

473,000 hrs @ 25°C

### Ratings & Certificates

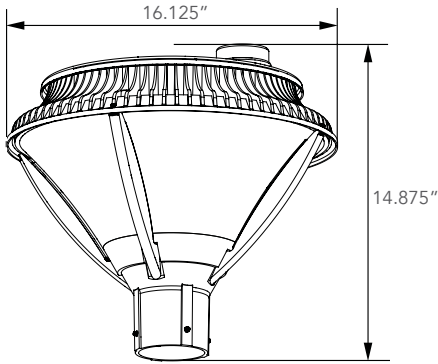
CSA: Listed for Wet Locations, ANSI/UL 1598, 8750;  
IP66 Sealed LED Compartment. ADA Compliant.  
10 year Warranty. BAA Compliant



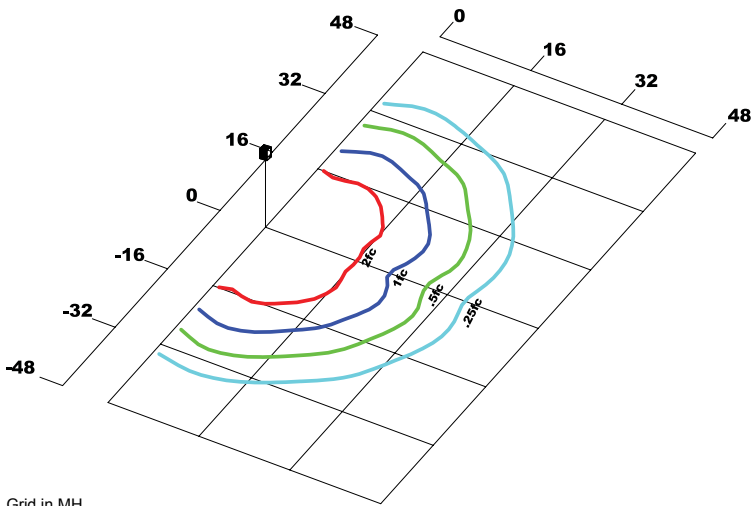


### Dimension

| Item        | Diameter | Height  | Weight |
|-------------|----------|---------|--------|
| 37W/65W/84W | 16.125"  | 14.875" | 14 lb  |



### Photometrics



Grid in MH  
MH=16 Feet



|                     |  |
|---------------------|--|
| <b>Project Name</b> |  |
| <b>Catalog #</b>    |  |
| <b>Job Type</b>     |  |
| <b>Prepared By</b>  |  |
| <b>Notes</b>        |  |

## Fixture Ordering Information

| Part #                | Wattage | Lumens | Kelvin | Voltage | Type Distribution | Color  |
|-----------------------|---------|--------|--------|---------|-------------------|--------|
| LL-AEPTS-37-50-UNV-BZ | 37      | 3602   | 5000   | 120-277 | Type V            | Bronze |
| LL-AEPTS-37-40-UNV-BZ | 37      | 2987   | 4000   | 120-277 | Type V            | Bronze |
| LL-AEPTS-37-30-UNV-BZ | 37      | 2856   | 3000   | 120-277 | Type V            | Bronze |
| LL-AEPTS-65-50-UNV-BZ | 65      | 5265   | 5000   | 120-277 | Type V            | Bronze |
| LL-AEPTS-65-40-UNV-BZ | 65      | 5135   | 4000   | 120-277 | Type V            | Bronze |
| LL-AEPTS-84-50-UNV-BZ | 84      | 6951   | 5000   | 120-277 | Type V            | Bronze |
| LL-AEPTS-84-40-UNV-BZ | 84      | 6781   | 4000   | 120-277 | Type V            | Bronze |
| LL-AEPTS-84-30-UNV-BZ | 84      | 6483   | 3000   | 120-277 | Type V            | Bronze |
| LL-AEPTS-37-50-UNV-BK | 37      | 3602   | 5000   | 120-277 | Type V            | Black  |
| LL-AEPTS-37-40-UNV-BK | 37      | 2987   | 4000   | 120-277 | Type V            | Black  |
| LL-AEPTS-37-30-UNV-BK | 37      | 2856   | 3000   | 120-277 | Type V            | Black  |
| LL-AEPTS-65-50-UNV-BK | 65      | 5265   | 5000   | 120-277 | Type V            | Black  |
| LL-AEPTS-65-40-UNV-BK | 65      | 5135   | 4000   | 120-277 | Type V            | Black  |
| LL-AEPTS-84-50-UNV-BK | 84      | 6951   | 5000   | 120-277 | Type V            | Black  |
| LL-AEPTS-84-40-UNV-BK | 84      | 6781   | 4000   | 120-277 | Type V            | Black  |
| LL-AEPTS-84-30-UNV-BK | 84      | 6483   | 3000   | 120-277 | Type V            | Black  |

## Accessories Ordering Information

| Part #               | Description  |
|----------------------|--|
| L                    | SoftLED LumaLens Opal UV-Stabilized Polycarbonate Array Lens*  |
| SF                   | Single Fuse <b>*120-277V Only*</b>   |
| DF                   | Double Fuse <b>*120-277V Only*</b>   |
| SP                   | Surge Protection   |
| R3                   | 3-Pin Twist Lock Photocell Receptacle  |
| R5                   | 5-Pin Twist Lock Photocell Receptacle  |
| R7                   | 7-Pin ANSI C136.41—2013 Twist Lock Photocell Receptacle  |
| S2                   | Microwave Sensor with Dimming for Mounting Heights of 8' to 40'. <b>*120-277V Only*</b>  |
| S4                   | Microwave On/Off Motion Sensor for Mounting Heights of 8' to 19'. <b>*120-277V Only*</b>   |
| SUB "UNV" WITH "480" | 480 Volt   |
| P18131               | Twist Lock Non-Shorting (Open) Cap Disconnects Service to Fixture for Temporary or Permanent Disabling (Fixture Always Off). IP65, 480V Maximum. |
| P18132               | Twist Lock Shorting Cap Provides Fixed Service to Fixture (Fixture Always on). IP65, Rated Load 7200w Tungsten.                                  |
| P18140               | 110-120VAC Instant Twist Lock Photocell  |
| P18152               | 277VAC Time Delay Twist Lock Photocell   |
| P18156               | 120-277VAC Universal Twist Lock Photocell  |
| P18157               | 480VAC Time Delay Twist Lock Photocell. For 480V use only  |

\* Please contact LITELUME for all Custom Option Requests