



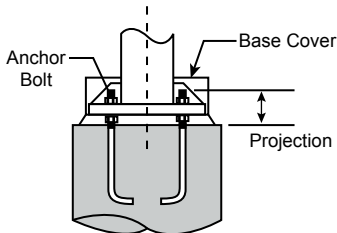
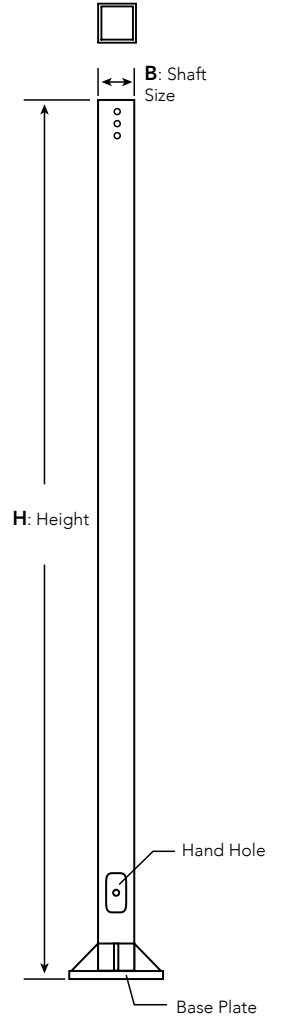
LL-SSA Square Straight Aluminum Pole - Made in USA



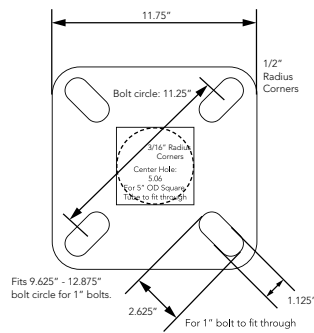
Project Name	
Catalog #	
Job Type	
Prepared By	
Notes	

Features

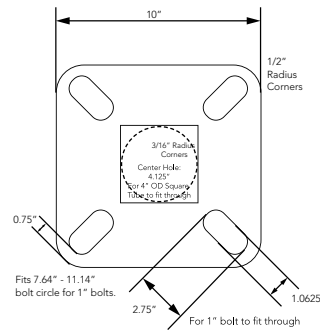
Pole Shaft:	The shaft is extruded from all new 6063 series alloy aluminum tubing. Shafts shall be supplied with a top closure when the shafts are to be drilled for side mounting of luminaires.
Base Cover:	Die-formed from heavy gauge aluminum. Two piece cover for easy installation.
Pole Cap:	Polymer snap-to-close pole cap provided in black.
Finish:	Textured thermoset polyester powder coat is applied and the oven-baked at a temperature of 400°F. Pole finish is warranted for a full one (1) year. An optional three (3) year extended warranty is also available. (external prime coat and internal rust inhibiting coating).
Anchor Bolts:	Poles are provided with hot-dip galvanized anchor bolts, "J" bend on one end and two flat hex bolts end and two flat washers per bolt. Anchor bolts meet or exceed a minimum of 36,000 PSI.



Base Detail



1" Base Plate



3/4" Base Plate

Ordering Information

Model	Height (H)	Shaft (B)	Gage	Mounting	Finish	Option
LL-SSA	10'	4"	.125	1 (DM1)	DBZ (Dark Bronze)	GR (GFI Receptacle)
	12'			2 (DM2180)		
14'	29 (DM290)					
LL-SSA	16'	5"	.125	39 (DM390)	SLV (Silver)	DB (Double Banner Arm)
	18'			49 (DM490)		
	20'			PT238 (2 3/8" x 4")		
				PT3 (3" x 4")		

* Please contact LITELUME for all Custom Option Requests



Effective Projected Area (EPA) Wind Ratings

Pole Height	Maximum Allowable EPA (ft ²) with 1.3 gust	Outside Dimension	Pole Thickness	Base Plate	Anchor Bolts
	100 mph				
10'	7.5	4"	0.125"	10"	3/4" x 30"
12'	5.7	4"	0.125"	10"	3/4" x 30"
14'	4.4	4"	0.188"	10"	3/4" x 30"
14'	12.2	5"	0.188"	10"	3/4" x 30"
16'	5.8	4"	0.188"	10"	3/4" x 30"
16'	10.0	5"	0.188"	10"	3/4" x 30"
18'	4.6	4"	0.188"	10"	3/4" x 30"
18'	8.3	5"	0.188"	10"	3/4" x 30"
20'	3.7	4"	0.188"	10"	3/4" x 30"
20'	6.7	5"	0.188"	11.75"	3/4" x 30"

