



All Purpose Luminaire Hazardous Location



Description

The Litelume All Purpose Hazardous Location (LL-APLHL) Class 1, Division 2 Luminaire is available with a clear tempered glass lens. Typical lighting applications include industrial facilities, oil, gas, painting facilities, manufacturing, and auto service facilities.

Fixture Information

Size:	57W
Housing:	Die-cast Aluminum Housing
Finish:	Powdercoat Finish Over a Chromate Conversion Coating
Color:	Standard: Grey
Mounting:	Pendant Mount (conduit supplied by others) Ceiling Mount Wall Mount Stanchion Mount Yoke Mount
Lens:	Clear Tempered Glass
CRI:	80
Temperature:	-25°C to +50°C
Voltage:	Standard: 120-277V
Power Factor:	>.90
Surge Protector:	6 kVA
Warranty:	10-Year Limited Warranty

Performance Data

Lumen Output:

8,599 to 8,957 lm

Lumens Per Watt (typical):

135 to 140 lm/W

CCT:

4000K

5000K

Lifespan:

183,000 hrs @ 25°C

Ratings & Certificates

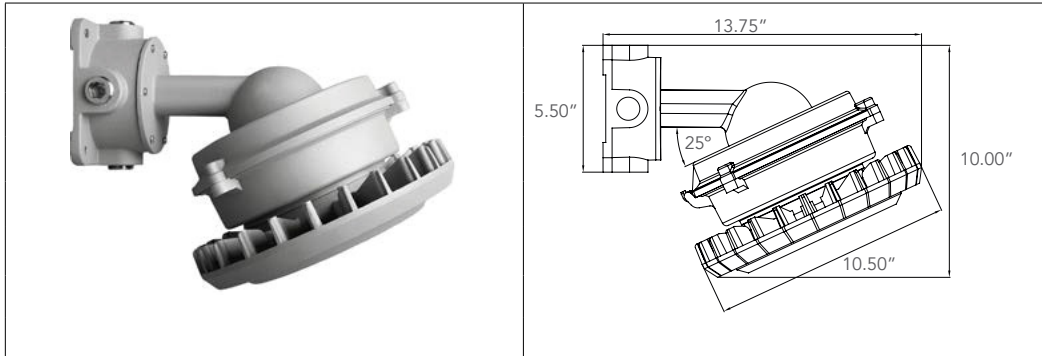
ETL Listed for Hazardous Locations Per UL844 as Follows: Class 1, Division 2 Groups A, B, C, D; T4 Temperature Rating, -25°C to +50°C Ambient. Suitable for Wet Locations, Sealed LED Compartment





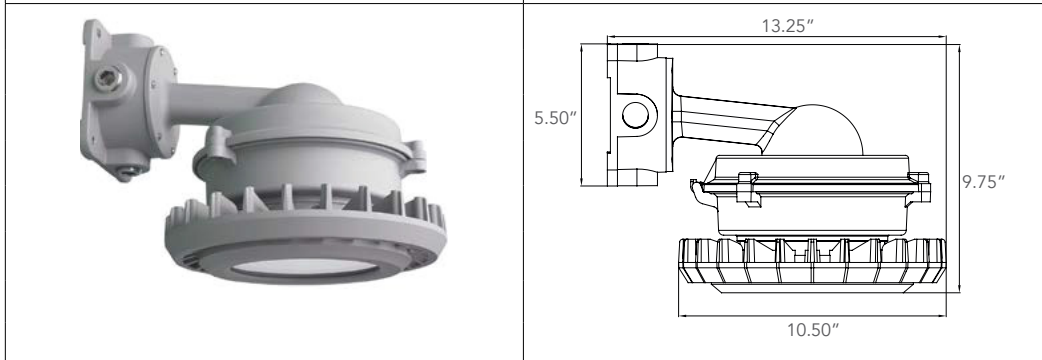
Project Name	
Catalog #	
Job Type	
Prepared By	
Notes	

Wall Mount



Dimension

Item	Height	Diameter
57W 25°	10.00"	10.50"



Dimension

Item	Height	Diameter
57W 90°	9.75"	10.50"

Fixture Ordering Information

Part #	Wattage	Lumens	Kelvin	Voltage	Color	Mounting	Angle
LL-APLHL-57-40-UNV-GY-W25	57	8599	4000	120-277	Grey	Wall Mount	25°
LL-APLHL-57-50-UNV-GY-W25	57	8957	5000	120-277	Grey	Wall Mount	25°
LL-APLHL-57-40-UNV-GY-W90	57	8599	4000	120-277	Grey	Wall Mount	90°
LL-APLHL-57-50-UNV-GY-W90	57	8957	5000	120-277	Grey	Wall Mount	90°

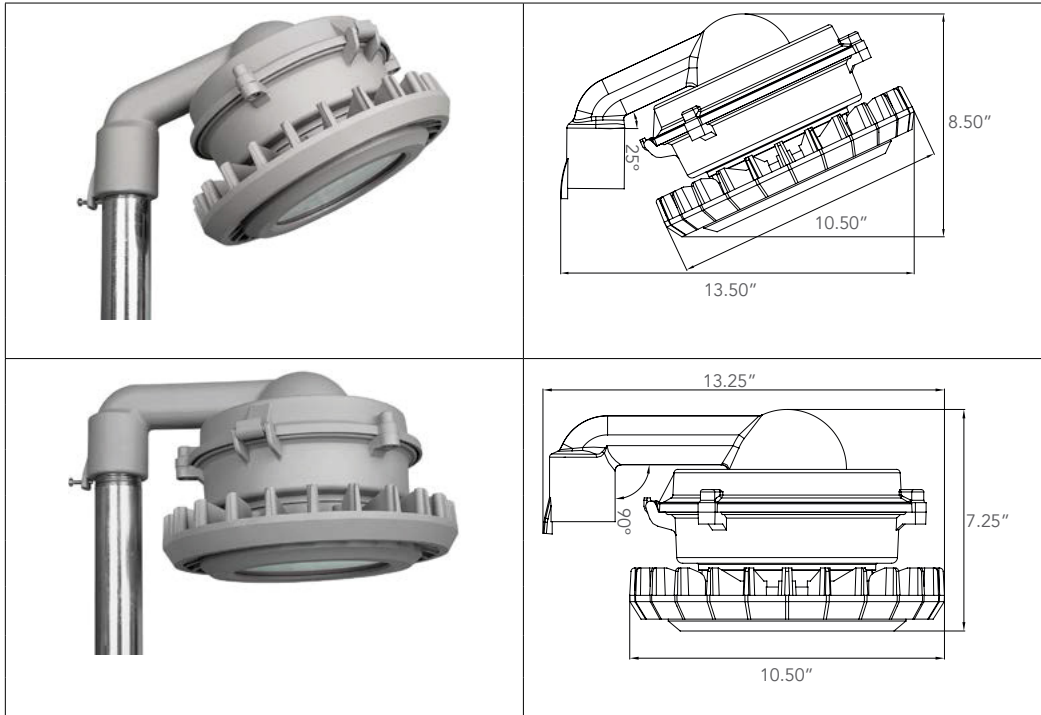
Accessories Ordering Information

Part #	Description
SP	Surge Protection



Project Name	
Catalog #	
Job Type	
Prepared By	
Notes	

Stanchion Mount (mounts over a 1-1/4" OD)



Dimension

Item	Height	Diameter
57W 25°	8.50"	10.50"

Dimension

Item	Height	Diameter
57W 90°	7.25"	10.50"

Fixture Ordering Information

Part #	Wattage	Lumens	Kelvin	Voltage	Color	Mounting	Angle
LL-APLHL-57-40-UNV-GY-S25	57	8599	4000	120-277	Grey	Stanchion Mount	25°
LL-APLHL-57-50-UNV-GY-S25	57	8957	5000	120-277	Grey	Stanchion Mount	25°
LL-APLHL-57-40-UNV-GY-S90	57	8599	4000	120-277	Grey	Stanchion Mount	90°
LL-APLHL-57-50-UNV-GY-S90	57	8957	5000	120-277	Grey	Stanchion Mount	90°

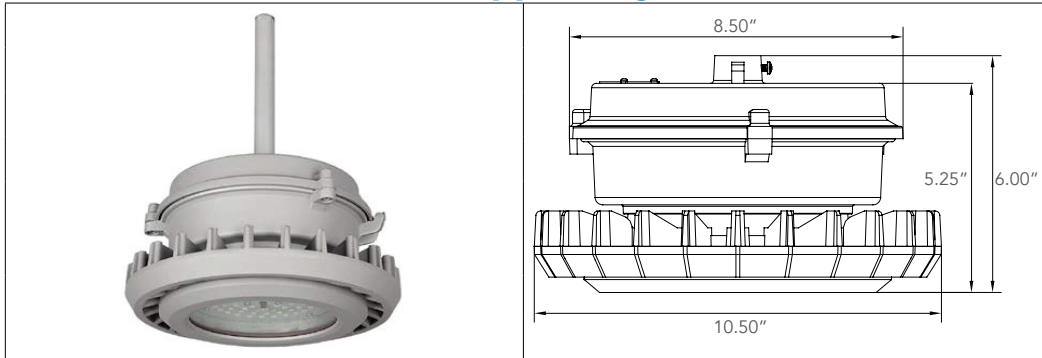
Accessories Ordering Information

Part #	Description
SP	Surge Protection



Project Name	
Catalog #	
Job Type	
Prepared By	
Notes	

Pendant Mount (Conduit supplied by others)



Dimension

Item	Height	Diameter
57W	6.00"	10.50"

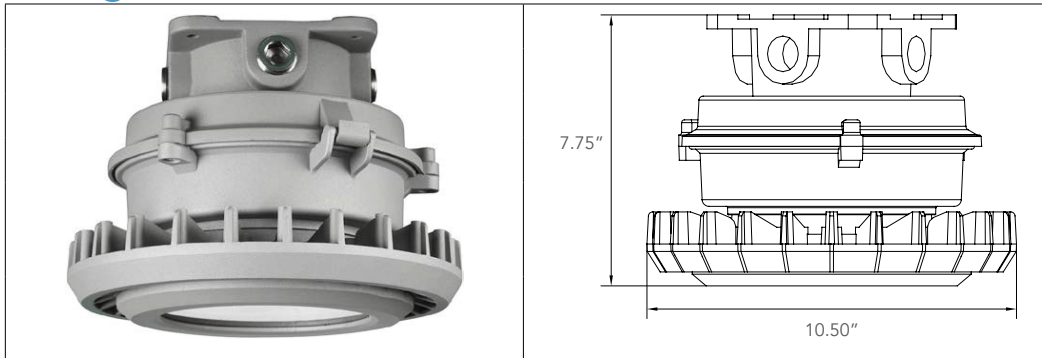
Fixture Ordering Information

Part #	Wattage	Lumens	Kelvin	Voltage	Color	Mounting
LL-APLHL-57-40-UNV-GY-P	57	8599	4000	120-277	Grey	Pendant Mount
LL-APLHL-57-50-UNV-GY-P	57	8957	5000	120-277	Grey	Pendant Mount

Accessories Ordering Information

Part #	Description
SP	Surge Protection

Ceiling Mount



Dimension

Item	Height	Diameter
57W	7.75"	10.50"

Fixture Ordering Information

Part #	Wattage	Lumens	Kelvin	Voltage	Color	Mounting
LL-APLHL-57-40-UNV-GY-CM	57	8599	4000	120-277	Grey	Ceiling Mount
LL-APLHL-57-50-UNV-GY-CM	57	8957	5000	120-277	Grey	Ceiling Mount

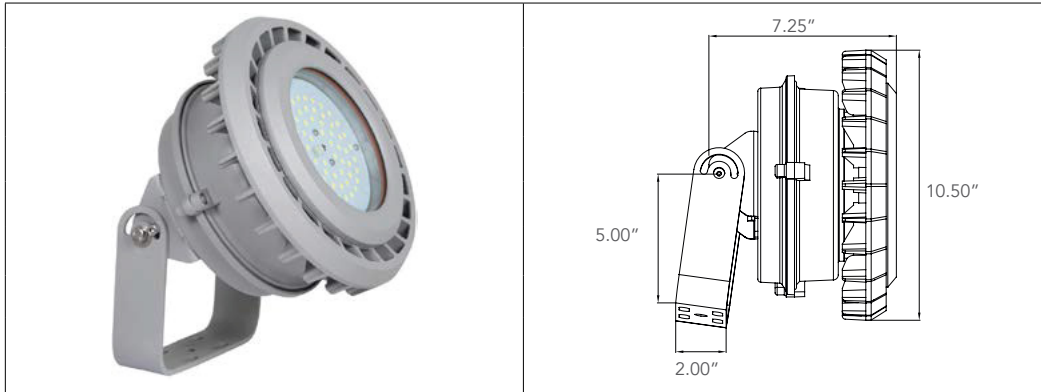
Accessories Ordering Information

Part #	Description
SP	Surge Protection



Project Name	
Catalog #	
Job Type	
Prepared By	
Notes	

Flood Mount



Dimension

Item	Width	Diameter
57W	7.25"	10.50"

Fixture Ordering Information

Part #	Wattage	Lumens	Kelvin	Voltage	Color	Mounting
LL-APLHL-57-40-UNV-GY-Y	57	8599	4000	120-277	Grey	Yoke Mount
LL-APLHL-57-50-UNV-GY-Y	57	8957	5000	120-277	Grey	Yoke Mount

Accessories Ordering Information

Part #	Description
SP	Surge Protection

Photometrics

