



# Round Straight Steel Tenon Arms Bullhorn

Made in USA - Virginia

## LL-VA-RSSTA-BH

### Round Straight Steel Tenon Arms Bullhorn

Round Straight Steel Tenon Arm Bullhorn available in Double 180°, Triple 180°, Quad 180°, Triple 120°, and Quad 90° designs in 4-Bolt Base, slides over 2 3/8" OD tenon. Constructed of weldable-grade, cold-rolled, commercial quality 11 gauge carbon steel tubing conforming to ASTM A500 Grade B. All welds shall conform to AWS D1.1 using ER70S-6 electrodes. Stainless Steel Mounting Hardware is included. Custom options available.

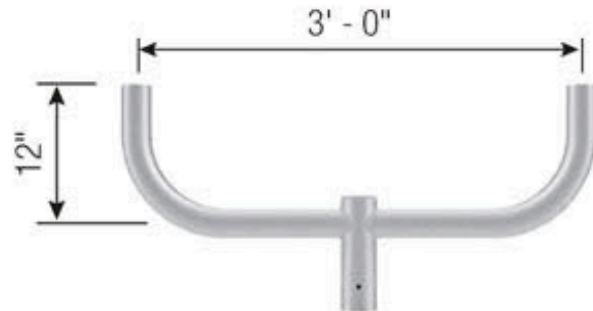


#### PRODUCT INFORMATION

Catalog Number	Description	Pipe Arm Diameter	Use with Tenon Size	Bracket EPA
LL-VA-RSSTA-BH-2180	Double - 180°	2" NPS (2.375" O.D)	2" NPS (2.375" O.D)	0.90 ft²
LL-VA-RSSTA-BH-3120	Triple - 120°	2" NPS (2.375" O.D)	2" NPS (2.375" O.D)	1.60 ft²
LL-VA-RSSTA-BH-3180	Triple - 180°	2" NPS (2.375" O.D)	2.5" NPS (2.875" O.D)	2.14 ft²
LL-VA-RSSTA-BH-490	Quad - 90°	2" NPS (2.375" O.D)	2.5" NPS (2.875" O.D)	1.55 ft² (Shielded)
LL-VA-RSSTA-BH-4180	Quad - 180°	2" NPS (2.375" O.D)	2.5" NPS (2.875" O.D)	2.04 ft² (Shielded)

## Double - 180°

### LL-VA-RSSTA-BH-2180



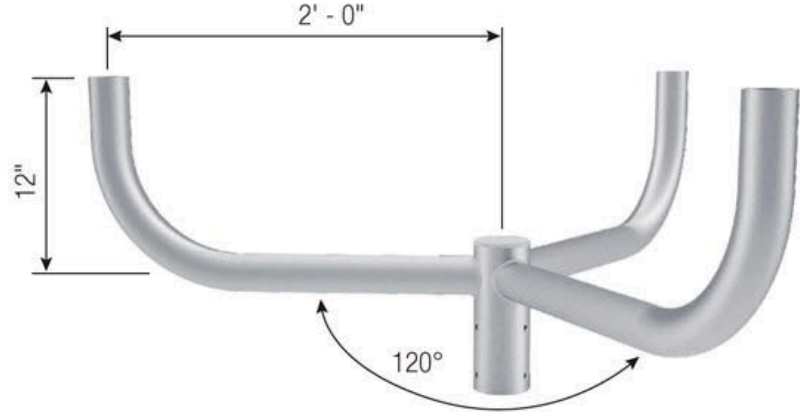


# Round Straight Steel Tenon Arms Bullhorn

Made in USA - Virginia

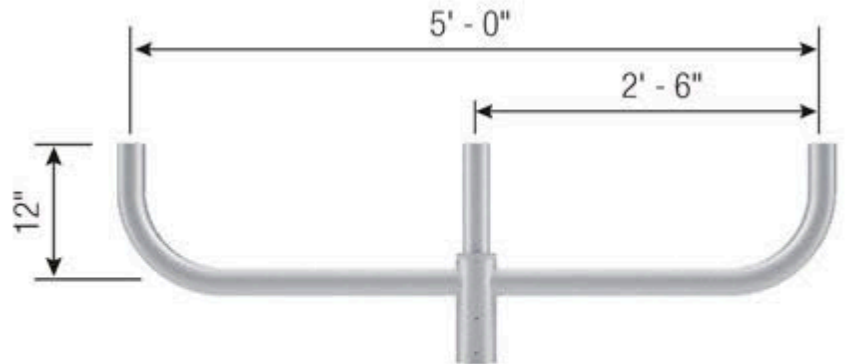
## Triple - 120°

LL-VA-RSSTA-BH-3120



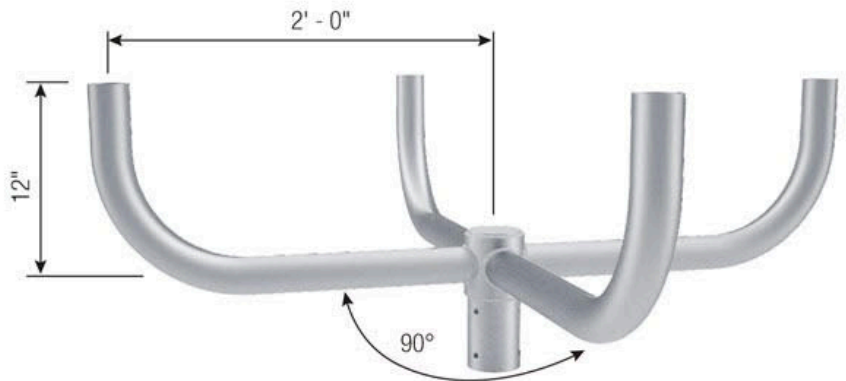
## Triple - 180°

LL-VA-RSSTA-BH-3180



## Quad - 90°

LL-VA-RSSTA-BH-490



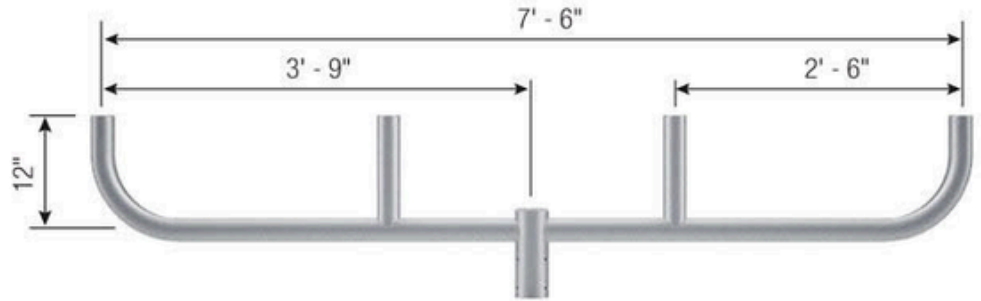


# Round Straight Steel Tenon Arms Bullhorn

Made in USA - Virginia

## Quad - 180°

LL-VA-RSSTA-BH-4180



PROJECT NAME	
CATALOG #	
JOB TYPE	
PREPARED BY	
NOTES	

### ORDERING GUIDE

Brand	Location	Type			
LL LITELUME	VA Virginia	RSSTA-BH Round Straight Steel Tenon Arms Bullhorn			
Tenon Orientation		Finish			
2180 2 @ 180 Degrees	3120 3 @ 120 Degrees	3180 3 @ 180 Degrees	490 4 @ 90 Degrees	4180 4 @ 180 Degrees	<b>BK</b> Black Powder Coat <b>WH</b> White Powder Coat <b>DBZ</b> Dark Bronze Powder Coat <b>DGR</b> Dark Green Powder Coat <b>GY</b> Gray Powder Coat <b>CUS</b> Custom Color*

**NOTE:** Provide RAL Paint Code