



Description

Chicago Approved Edgelit Aluminum Exit/Stair Sign

Illumination:

- Ultra-bright, energy efficient, long-lasting white LEDs provide uniform illumination.
- UV stabilized, silk screened acrylic panels provide consistent, uniform illumination.

Electrical:

- Dual 120/277 voltage.
- Charge rate/power "ON" LED indicator light and push-to-test switch for mandated code compliance testing.
- 4.8V long life, maintenance-free, rechargeable NiCd battery (EM models only).
- Internal solid-state transfer switch automatically connects the internal battery to LED board for minimum 90-minute emergency illumination.
- Fully automatic solid-state, two rate charger initiates battery charging to recharge a discharged battery in 24 hours.

Mounting:

- Die-cast aluminum mounting canopy provided for universal top, end or back mount.

Housing:

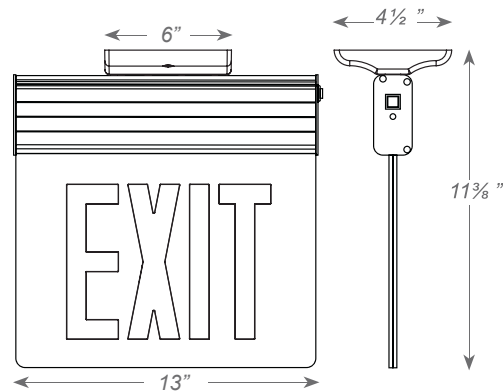
- Premium-grade, die-cast aluminum housing (also available in optional black or white powder-coated finishes).
- Single or double face configurations.

Warranty/Listing:

- Seven year warranty on all electronics and housing. Battery prorated for five years.
- Meets UL924, NFPA 101 Life Safety Code, NEC, OSHA, Local and State Codes.
- UL Listed for damp locations (0°C – 50°C).
- Certified to CEC under Title 20 Regulations.
- Meets city of Chicago requirements.



Dimensions:





Project Name	
Catalog #	
Job Type	
Prepared By	
Notes	

Fixture Ordering Information

Model	No. of Faces		Letter		Housing		Battery		Options	
LL-CAELXTE	1	Single Face	RW	Red on White	W	White	(blank)	AC-Only	-NA	Exit No Arrow
	2	Double Face			A	Aluminum			EM	Battery Backup
									-DA	Exit Double Arrow
									-S-DA	Stair Double Arrow
									-RA ¹	Exit Right Arrow
									-S-RA ¹	Stair Right Arrow
									-LA ¹	Exit Left Arrow
									-S-LA ¹	Stair Left Arrow
									-LAR ²	Exit Left/Right Arrow
									-S-LARA ²	Stair Left/Right Arrow

¹ Available in single face configuration only.
² Available in double face configuration only.