



Sconce Elite Premium



Description

The LITELUME™ Sconce Elite Premium (LL-SEP) features a dieformed cold rolled steel housing in satin nickel or oil rubbed bronze with a high transmission acrylic shade for an elegant soft appearance. Applications: commercial, residential, hospitality, entertainment and Hallways lighting.

Fixture Information

Size:	22W
Housing:	Die-formed cold rolled steel
Finish:	Protective powder coat
Color:	Standard: Satin Nickel (SN) Optional: Oil Rubbed Bronze (ORB)
Mounting:	Standard: Wall Mount
Lens:	High transmission acrylic
CRI:	90
Power Factor:	.98
THD:	<10%
Dimming:	0-10v Dimming level minimum 3%, flicker free
Voltage:	Standard: 120-277V
Warranty:	10-Year Limited Warranty

Performance Data

Lumen Output:

1580 lm

Lumens Per Watt (typical):

82.5 lm/W

CCT:

3000K

Lifespan:

60,000 hrs

Ratings & Certificates

ETL/cETL Listed

CEC Listed

JA8

JA10 Flicker Free

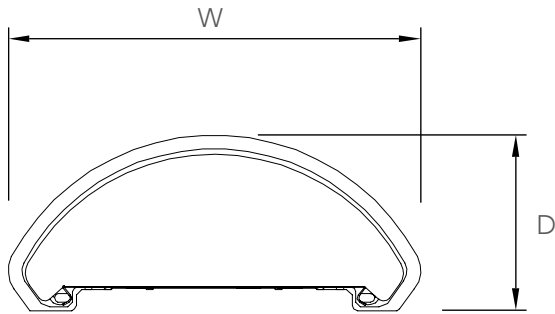
Damp Location Listed





Dimension

Item	Width	Depth	Height
LL-SEP	9.4"	4"	10.5"





Project Name	
Catalog #	
Job Type	
Prepared By	
Notes	

Fixture Ordering Information

Part #	Wattage	Lumens	Kelvin	Voltage	Color
LL-SEP-22-30-SN	22	1580	3000	120-277V	Satin Nickel
LL-SEP-22-30-ORB	22	1580	3000	120-277V	Oil Rubbed Bronze