



High Bay Round UFO Econolume Series



*Not all product variations listed on this page are DLC qualified. Visit www.designlights.org/search to confirm qualification



Description

The LITELUME™ LED High Bay Round UFO Econolume Series (LL-HBRUECO) is commercial luminaire constructed with a IP66 rated one piece die cast housing suitable for both indoor and outdoor applications.

Fixture Information

Size:	60W/100W/150W/200W/240W
Housing:	Sealed Die-casting
Finish:	Protective powder coat
Color:	Standard: Black
Mounting:	Standard: Hook Mount Optional: See accessories
Operating Temperature:	-40°F to 113°F
Power Factor:	>.95
CRI:	80
Voltage:	Standard: 120-277V Optional: 480V
Warranty:	10-Year Limited Warranty

Performance Data

Lumen Output:

9300 to 37,200 lm

Lumens Per Watt (typical):

155 lm/W

CCT:

4000K

5000K

Lifespan:

Features Spec Grade LED's with up to 100,000 running hours

Ratings & Certificates

UL listed for wet locations

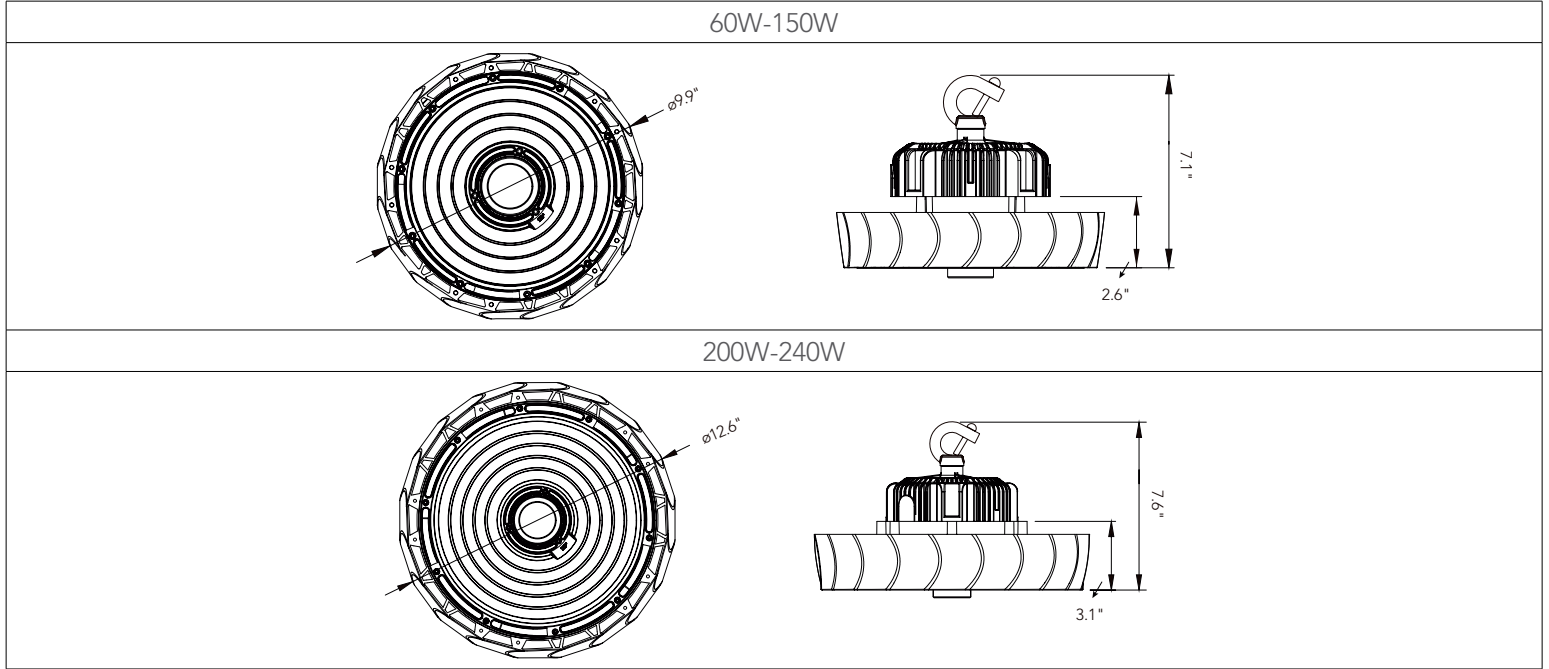
DLC Premium Listed





Dimension

Item	Diameter	Height	Height 2
60W/150W	9.9"	2.6"	7.1"
200W/240W	12.6"	3.1"	7.6"



Reflectors





Project Name	
Catalog #	
Job Type	
Prepared By	
Notes	

Fixture Ordering Information

Part #	Wattage	Lumens	CCT	Voltage
LL-HBRUECO-60-50-UNV-BK	60	9300	5000	120-277
LL-HBRUECO-60-40-UNV-BK	60	9300	4000	120-277
LL-HBRUECO-100-50-UNV-BK	100	15500	5000	120-277
LL-HBRUECO-100-40-UNV-BK	100	15500	4000	120-277
LL-HBRUECO-150-50-UNV-BK	150	23200	5000	120-277
LL-HBRUECO-150-40-UNV-BK	150	23200	4000	120-277
LL-HBRUECO-200-50-UNV-BK	200	31000	5000	120-277
LL-HBRUECO-200-40-UNV-BK	200	31000	4000	120-277
LL-HBRUECO-240-50-UNV-BK	240	37200	5000	120-277
LL-HBRUECO-240-40-UNV-BK	240	37200	4000	120-277

Mounting Ordering Information

Part #	Description
ANT-5-4T	Sharkward 12-24V DC 0-10V Plug And Play Microwave Sensor
ANT-6-4T	Sharkward 12-24V DC 0-10V Plug And Play PIR Sensor
ANT-6-4T-BLE-SR	Sharkward Silvair 12-24V DC 0-10V Plug And Play Bluetooth PIR Sensor
ANT-6-4T-BLE-GE	Homewell Gebc 12-24V DC 0-10V Plug And Play Bluetooth PIR Sensor
RC-100	Remote Control 100
AC-EFS106-AUX-W.B1-WH-BL1-2-B	Autani Compatible - Keilton EFS106-AUX-W.B1 Plug And Play Bluetooth Daylight Harvesting And PIR Motion Sensor & WHBL1-2-B Lens LLLC
AC-WPPA102-AUX-W.B1	Autani Compatible - Keilton Plug And Play Bluetooth Long Range Controller Node LLLC
AR60	Aluminum Reflector 60°
AR90	Aluminum Reflector 90°
AR120	Aluminum Reflector 120°
PC60	Polycarbonate Refractor 60°
SUB "UNV" WITH "480"	480 Volt

* Please contact LITELUME for all Custom Option Requests