



LED Wall Pack Half Moon



LL-WPHM

LED Wall Pack Half Moon

The LITELUME™ Wallpack Half Moon (LL-WPHM) is a Dark Sky compliant LED fixture with a durable polycarbonate optical lens.



PERFORMANCE DATA

Lumen Output - Field Selectable	5,483 - 13,690 lm
Lumens Per Watt (typical)	137 lm/W
CCT - Field Selectable	3000K 4000K 5000K
Lifespan	160,000 hrs

RATINGS & CERTIFICATES

IK08 Rated • UL Listed • Wet Location
Complies with FCC Part 15, class A • IP65

APPLICATIONS

Entryways • Tunnels • Walkways • Exterior Wall Lighting • Multi-use Facilities • Industrial Facilities • Parking Lots • Storage Facilities
Education • Multi-Family • Retail • Office

FIXTURE INFORMATION

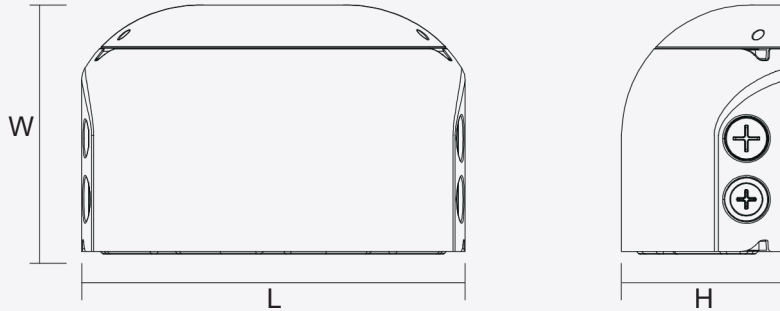
Size	Housing	Finish	Lens	Mounting	Color	Controls
40W - 100W	Die-Cast Aluminum	Protective Powder Coat	Polycarbonate	Wall Mount	Bronze	Photocell
Voltage	Dimming	Electrical	Power Factor	THD	CRI	Warranty
120 - 277V	0-10V	4kV for 8L 6kV for 13L	.90	<20%	80	10 Year Limited

Operating Temperature (ambient): -40°C to 50°C (-40°F to 122°F)



LED Wall Pack Half Moon

DIMENSIONS



Model	Length (in)	Width (in)	Height (in)	Weight (lbs)
LL-WPHM-8L-3CCT	10.46	6.76	4.51	3.8
LL-WPHM-13L-3CCT	13.98	8.72	6.04	6.41

LUMEN TABLES

Series	Measurements	Low Lumen			Mid Lumen			High Lumen		
		3000K	4000K	5000K	3000K	4000K	5000K	3000K	4000K	5000K
LL-WPHM-8L-3CCT	Lumens	5,483	5,896	5,753	6,531	7,142	6,848	7,492	8,352	7,863
	Watts	40.94	39.15	40.74	50.94	48.52	50.53	61.15	58.17	68.84
	Efficacy	133.93	150.6	141.21	128.21	147.2	135.52	122.52	143.58	114.22
LL-WPHM-13L-3CCT	Lumens	8,165	8,839	8,627	10,420	11,438	10,960	12,233	13,690	12,876
	Watts	60.04	58.07	60.1	80.93	77.16	80.45	100.61	95.34	100.06
	Efficacy	135.99	152.21	143.54	128.75	148.24	136.23	121.59	143.59	128.68



LED Wall Pack Half Moon

PHOTOMETRICS (LL-WPHM-8L-3CCT)

Luminaire Data		Polar Graph	Zonal Lumen Summary			Luminaire Classification System (LCS)		
Description	Half Moon Wall Pack		Zone	Lumens	%Fixt	LCS Zone	Lumens	%Lum
Total Lumens	8,352		0-30°	3,323	39.8%	FL 0-30	1,675	20.1%
Input Wattage	58		0-60°	7,409	88.7%	FM 30-60	2,053	24.6%
Efficacy (lm/W)	144		0-80°	8,295	99.3%	FH 60-80	425	5.1%
Max Cd.	4702.6 (112.5H, 3V)		0-90°	8,352	100.0%	FVH 80-90	24	0.3%
IES Classification	N.A.		80-90°	57	0.7% *	BL 0-30	1,648	19.7%
Longitudinal Classification	N.A.		90-110°	0	0.0%	BM 30-60	2,033	24.3%
			110-180°	0	0.0%	BH 60-80	462	5.5%
			0-180°	8,352	100.0%	BVH 80-90	33	0.4%
						UL 90-100	0	0.0%
						UH 100-180	0	0.0%
						Total	8,352	100.0%
						BUG Rating	B3-U0-G1	

Photometrics calculated @4000K and highest lumen setting

* 80-90° glare zone is calculated by dividing the lumens in that zone by the lumen total in the 0-90° zone.

PHOTOMETRICS (LL-WPHM-13L-3CCT)

Luminaire Data		Polar Graph	Zonal Lumen Summary			Luminaire Classification System (LCS)		
Description	Half Moon Wall Pack		Zone	Lumens	%Fixt	LCS Zone	Lumens	%Lum
Total Lumens	13,690		0-30°	5,540	40.5%	FL 0-30	2,729	19.9%
Input Wattage	95		0-60°	12,153	88.8%	FM 30-60	3,182	23.2%
Efficacy (lm/W)	144		0-80°	13,598	99.3%	FH 60-80	671	4.9%
Max Cd.	7864.8 (202.5H, 2V)		0-90°	13,690	100.0%	FVH 80-90	39	0.3%
IES Classification	N.A.		80-90°	92	0.7% *	BL 0-30	2,811	20.5%
Longitudinal Classification	N.A.		90-110°	0	0.0%	BM 30-60	3,430	25.1%
			110-180°	0	0.0%	BH 60-80	775	5.7%
			0-180°	13,690	100.0%	BVH 80-90	53	0.4%
						UL 90-100	0	0.0%
						UH 100-180	0	0.0%
						Total	13,690	100.0%
						BUG Rating	B4-U0-G2	

Photometrics calculated @4000K and highest lumen setting

* 80-90° glare zone is calculated by dividing the lumens in that zone by the lumen total in the 0-90° zone.



PROJECT NAME	
CATALOG #	
JOB TYPE	
PREPARED BY	
NOTES	

ORDERING GUIDE

Brand	Fixture Type	Lumen Package	Voltage
LL LITELUME	WPHM Wall Pack Half Moon	8L 8000 Lumens 13L 13000 Lumens	UNV 120-277V
CCT	Power	Finish	Photocell
SCT Selectable Color Temperature * * 3000K/4000K/5000K	SP Selectable Power	BZ Bronze	PC Photocell

FIXTURE ORDERING INFORMATION

Part #	Watts	Lumens	Kelvin	Voltage
LL-WPHM-8L-UNV-SCT-SP-BZ-PC	40W/50W/60W	5896/7142/8352	3000K/4000K/5000K	120-277V
LL-WPHM-13L-UNV-SCT-SP-BZ-PC	60W/80W/100W	8839/11438/13690	3000K/4000K/5000K	120-277V