



Cylinder Wall Sconce Premium



LL-CYLWSP

Cylinder Wall Sconce Premium

The LITELUME™ LED Cylinder Wall Sconce Premium (LL-CYLWSP) is a specification grade field adjustable Uplight/Downlight Wall Mounted luminaire designed for retrofit or new construction. Available in 3 different sized form factors. Includes a photocell with on/off dip switch. Choose between uplight, downlight or up/down combination. Featuring 3 color adjustable CCT, and 3 different field selectable lumen selections, allowing for customized energy savings and comfortability.



PERFORMANCE DATA

Lumen Output	600 - 3000 lm
Lumens Per Watt (typical)	104 lm/W
CCT	3000K 4000K 5000K
Lifespan	Rated Lifetime of 140,000 Hours

RATINGS & CERTIFICATES

UL / cULus Listed • Wet Location
IP65 • FCC Part 15, Class B

APPLICATIONS

Retail • Hospitality • Healthcare • Education
Office • Multi-Family • Tunnels & Walkways
Entryways • Building Exteriors • Industrial

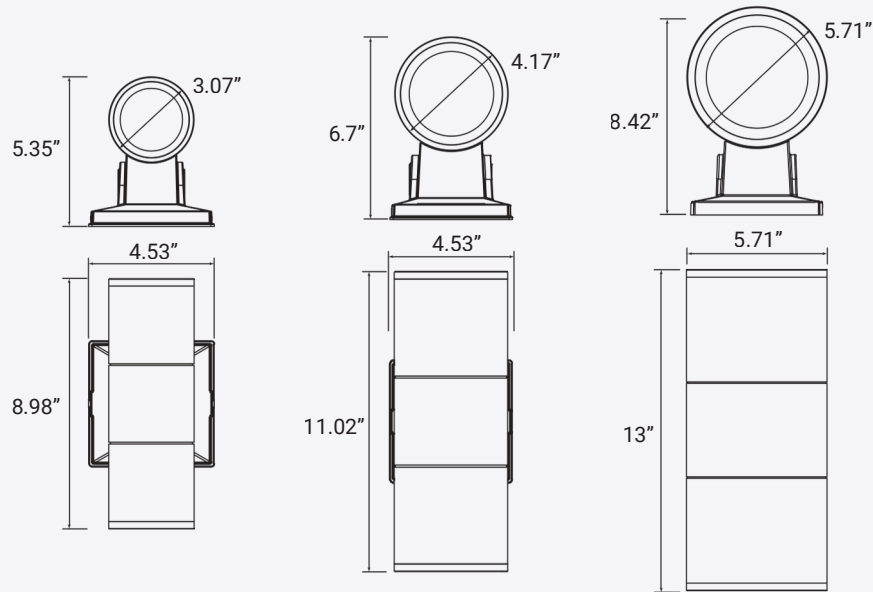
FIXTURE INFORMATION

Size	Housing	Finish	Lens			Color	Beam Angle
6W - 35W	High Grade Die-Cast Aluminum	Premium Powder Coat	Heat-Resistant Toughened Glass			Bronze	35°
Voltage	Dimming	Electrical	PF	THD	CRI	Warranty	Operating Temp.
120 - 277V	Standard: 0-10V 10% - 100%	4kV Surge Protection	.90	<20%	90	10 Year	-40°F to 113°F



Cylinder Wall Sconce Premium

DIMENSIONS



Model	Length (in)	Width (in)	Height (in)	Ø (in)	Weight (lbs)
LL-CYLWSP-1L	4.53	5.35	8.98	3.07	2.65
LL-CYLWSP-2L	4.53	6.7	11.02	4.17	4.13
LL-CYLWSP-3L	5.71	8.42	13	5.71	6.48



Cylinder Wall Sconce Premium

LUMEN TABLES										
Series	Measurements	Low Lumens			Mid Lumens			High Lumens		
		3000K	4000K	5000K	3000K	4000K	5000K	3000K	4000K	5000K
LL-CYLWSP-1L	Lumens	502	565	590	625	707	735	763	864	894
	Watts	6.07	5.99	6.06	7.62	7.49	7.61	9.37	9.19	9.33
	Efficacy	83	94	97	82	94	97	81	94	96
LL-CYLWSP-2L	Lumens	1115	1225	1277	1487	1662	1716	1739	1959	1999
	Watts	12.31	12.14	12.32	16.82	16.61	16.88	20.07	19.79	20.1
	Efficacy	91	101	104	88	100	102	87	99	99
LL-CYLWSP-3L	Lumens	2004	2162	2237	2443	2660	2716	2663	2912	2979
	Watts	23.65	23.48	23.91	29.88	29.63	30.09	34.66	34.43	34.85
	Efficacy	85	92	94	82	90	90	77	85	85



Cylinder Wall Sconce Premium

ELECTRICAL DATA

Series	CCT	Input Amps (A)								
		Low Lumens			Mid Lumens			High Lumens		
		120V	240V	277V	120V	240V	277V	120V	240V	277V
LL-CYLWSP-1L	3000K	0.05	0.03	0.02	0.06	0.03	0.03	0.08	0.04	0.03
	4000K	0.05	0.02	0.02	0.06	0.03	0.03	0.08	0.04	0.03
	5000K	0.05	0.03	0.02	0.06	0.03	0.03	0.08	0.04	0.03
LL-CYLWSP-2L	3000K	0.10	0.05	0.04	0.14	0.07	0.06	0.17	0.08	0.07
	4000K	0.10	0.05	0.04	0.14	0.07	0.06	0.16	0.08	0.07
	5000K	0.10	0.05	0.04	0.14	0.07	0.06	0.17	0.08	0.07
LL-CYLWSP-3L	3000K	0.20	0.10	0.09	0.25	0.12	0.11	0.29	0.14	0.13
	4000K	0.20	0.10	0.08	0.25	0.12	0.11	0.29	0.14	0.12
	5000K	0.20	0.10	0.09	0.25	0.13	0.11	0.29	0.15	0.13



Cylinder Wall Sconce Premium

PHOTOMETRICS (LL-CYLWSP-1L)

Luminaire Data		Polar Graph	Luminaire Classification System (LCS)			
Description	LL-CYLWSP-1L (900 Lumens)		LCS Zone	Lumens	%Lum	
Total Lumens	864		FL	0-30	166	19.2%
Input Wattage	9		FM	30-60	40	4.7%
Efficacy (lm/W)	94		FH	60-80	1	0.1%
Max. Cd.	1034.1 (292.5H, 179V)		FVH	80-90	0	0.0%
IES Classification	N/A		BL	0-30	177	20.4%
Longitudinal Classification	N/A		BM	30-60	46	5.3%
			BH	60-80	1	0.1%
			BVH	80-90	0	0.0%
		UL	90-100	0	0.1%	
		UH	100-180	432	50.1%	
		Total		864	100.0%	
		BUG Rating	B1-U3-G0			

Photometric calculated at 4000K & highest lumen setting.

PHOTOMETRICS (LL-CYLWSP-2L)

Luminaire Data		Polar Graph	Luminaire Classification System (LCS)			
Description	LL-CYLWSP-2L (2000 Lumens)		LCS Zone	Lumens	%Lum	
Total Lumens	1959		FL	0-30	353	18.0%
Input Wattage	20		FM	30-60	133	6.8%
Efficacy (lm/W)	99		FH	60-80	13	0.6%
Max. Cd.	1843.6 (67.5H, 177V)		FVH	80-90	6	0.3%
IES Classification	N/A		BL	0-30	332	17.0%
Longitudinal Classification	N/A		BM	30-60	125	6.4%
			BH	60-80	12	0.6%
			BVH	80-90	6	0.3%
		UL	90-100	12	0.6%	
		UH	100-180	967	49.4%	
		Total		1959	100%	
		BUG Rating	B1-U4-G0			

Photometric calculated at 4000K & highest lumen setting.



Cylinder Wall Sconce Premium

PHOTOMETRICS (LL-CYLWSP-3L)

Luminaire Data		Polar Graph	Luminaire Classification System (LCS)			
Description	LL-CYLWSP-3L (3000 Lumens)		LCS Zone	Lumens	%Lum	
Total Lumens	2912		FL	0-30	553	19.0%
Input Wattage	34		FM	30-60	180	6.2%
Efficacy (lm/W)	85		FH	60-80	4	0.1%
Max. Cd.	3358.3 (337.5H, 6V)		FVH	80-90	1	0.0%
IES Classification	Type VS		BL	0-30	536	18.4%
Longitudinal Classification	Very Short		BM	30-60	178	6.1%
			BH	60-80	5	0.2%
			BVH	80-90	1	0.0%
		UL	90-100	1	0.0%	
		UH	100-180	1454	49.9%	
		Total		2912	100.0%	
		BUG Rating	B2-U5-G0			

Photometric calculated at 4000K & highest lumen setting.

DIP SWITCH

For Wattage & Light Option	For CCT & Photocell
<p>Factory Default Setting: Wattage: High Power Light Option: FULL</p>	<p>Factory Default Setting: CCT: 4000K Photocell: OFF</p>



Cylinder Wall Sconce Premium

PROJECT NAME	
CATALOG #	
JOB TYPE	
PREPARED BY	
NOTES	

ORDERING GUIDE

Brand	Fixture Type	Lumen Package	Voltage	CCT
LL LITELUME	CYLWSP Cylinder Wall Sconce Premium	1L 900 Lumens 2L 2000 Lumens 3L 3000 Lumens	UNV 120-277V	SCT Selectable Color Temperature
Power	Distribution	Beam	Finish	Photocell
SP Selectable Power	SD Selectable Distribution	35 35 Degree	BZ Bronze	PC Photocell with On/Off Dip Switch

FIXTURE ORDERING INFORMATION

Part #	Watts	Lumens	Kelvin	Voltage	Beam
LL-CYLWSP-1L-UNV-SCT-SP-SD-35-BZ-PC	6W/7W/9W	600/700/900	3000K/4000K/5000K	120-277	35
LL-CYLWSP-2L-UNV-SCT-SP-SD-35-BZ-PC	12W/17W/20W	1200/1700/2000	3000K/4000K/5000K	120-277	35
LL-CYLWSP-3L-UNV-SCT-SP-SD-35-BZ-PC	24W/30W/35W	2000/2700/3000	3000K/4000K/5000K	120-277	35