



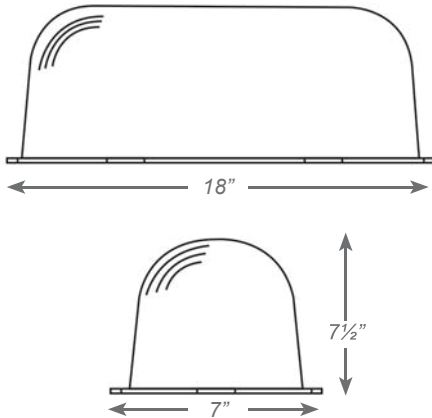
Description

Vandal Shield

Housing Mounting:

- High-impact resistant polycarbonate material.
- Mounting hardware provided for easy installation in the field.

Dimensions:



Fixture Compatibility Chart:

Reference individual unit equipment specification sheets for remote load capacity availability.

LL-RMR-16	LL-RMR-16-WP	LL-LEDR2
-----------	--------------	----------



Project Name	
Catalog #	
Job Type	
Prepared By	
Notes	

Fixture Ordering Information

Model
LL-BG-R1