



Description

Wet Location All Led Exit & Emergency Polycarbonate Combo

Illumination:

- Long lasting, efficient ultra bright white LED lamp heads.
- 3.6 watt (3 LEDs x 1.2 watt) per head.
- Adjustable LED lamp heads provide optimal center-to-center spacing.
- Long-life, energy efficient Red or Green LED EXIT sign illumination.

Electrical:

- Dual 120V/277 voltage,
- Unique bi-color LED indicator alerts occupant on battery condition (Green-normal, Red-check battery).
- 6V Long life, maintenance-free, rechargeable NiCd battery.
- Internal solid-state transfer switch automatically connects the internal battery to LED board and LED lamp heads for minimum 90-minute emergency illumination.
- Fully automatic solid-state, two rate charger initiates battery charging to recharge a discharged battery in 24 hours.

Mounting:

- Die-cast aluminum mounting canopy included for top or end mount.
- Universal knockout pattern on back plate for wall mount.

Housing:

- 5VA fl a me retardant, UV stabilized polycarbonate in white, black or gray finish.
- High-impact resistant, UV stabilized polycarbonate clear lens.
- Corrosion resistant enclosure with engineering grade silicone gasket.
- EZ snap-out Chevron directional indicators.
- Knockout's provided for conduit feed applications.

Options:

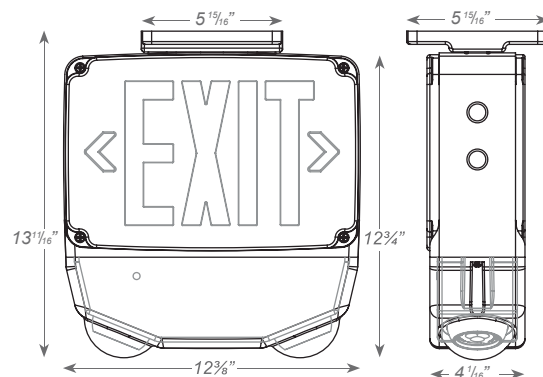
- RC: Remote capacity of up to 7.2 watts.
- SDT: Self-diagnostic feature performs monthly, biannual, and annual tests to ensure reliable operation and meets electrical and life safety codes.
- TP: Tamper-proof hardware helps discourage unauthorized access to the unit.
- CW: Optional internal heater and battery blanket for extreme cold temperature applications (-20° C – 50° C).
- Custom: Signs available with requested "special" wording.

Warranty/Listing:

- Seven year warranty on all electronics and housing. Battery prorated for five years.
- Meets UL924, NFPA 101 Life Safety Code, NEC, OSHA, Local and State Codes.
- UL listed for Wet Locations
- Certified to CEC under Title 20 Regulations.



Dimensions:





Project Name	
Catalog #	
Job Type	
Prepared By	
Notes	

Fixture Ordering Information

Model	No. of Faces		Letter Color		Housing Color		Options	
LL-CWLEZXTEU	1	Single Face	R	Red	W	White	RC	Remote Capacity
	2	Double Face	G	Green	B	Black	SDT	Self-Diagnostics
					G	Gray (with white faceplate)	TP	Tamper-proof
							CW	Cold Weather
							CUSTOM	Custom Wording